

STEREO RECEIVER

RX-530/AVR-55

SERVICE MANUAL

IMPORTANT NOTICE

This manual has been provided for the use of authorized Yamaha Retailers and their service personnel. It has been assumed that basic service procedures inherent to the industry, and more specifically Yamaha Products, are already known and understood by the users, and have therefore not been restated.

WARNING: Failure to follow appropriate service and safety procedures when servicing this product may result in personal injury, destruction of expensive components and failure of the product to perform as specified. For these reasons, we advise all Yamaha product owners that all service required should be performed by an authorized Yamaha Retailer or the appointed service representative.


IMPORTANT: The presentation or sale of this manual to any individual or firm does not constitute authorization, certification, recognition of any applicable technical capabilities, or establish a principle-agent relationship of any form.

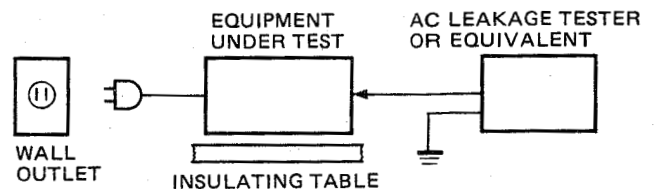
The data provided is believed to be accurate and applicable to the unit(s) indicated on the cover. The research, engineering, and service departments of Yamaha are continually striving to improve Yamaha products. Modifications are, therefore, inevitable and specifications are subject to change without notice or obligation to retrofit. Should any discrepancy appear to exist, please contact the distributor's Service Division.

WARNING: Static discharges can destroy expensive components. Discharge any static electricity your body may have accumulated by grounding yourself to the ground buss in the unit (heavy gauge black wires connect to this buss).

IMPORTANT: Turn the unit OFF during disassembly and parts replacement. Recheck all work before you apply power to the unit.

■ TO SERVICE PERSONNEL

- Critical Components Information.**
Components having special characteristics are marked  and must be replaced with parts having specifications equal to those originally installed.
- Leakage Current Measurement (For 120V Model Only).**
When service has been completed, it is imperative that you verify that all exposed conductive surfaces are properly insulated from supply circuits.
 - Meter impedance should be equivalent to 1500 ohm shunted by 0.15μF.
 - Leakage current must not exceed 0.5mA.
 - Be sure to test for leakage with the AC plug in both polarities.



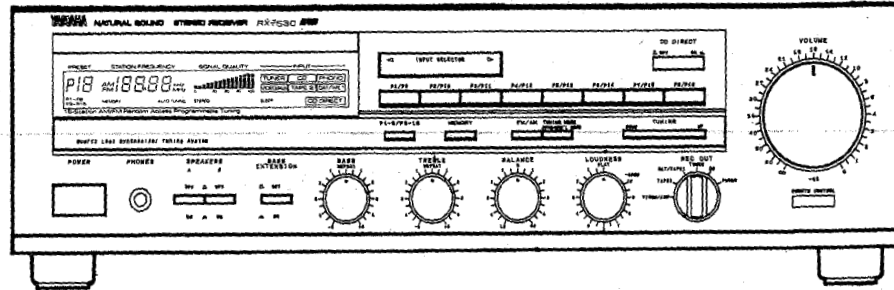
- POLARIZATION (U model only)**
This amplifier product is equipped with a polarized alternating-current line plug (a plug having one blade wider than the other). This plug will fit into the power outlet only one way. This is a safety feature.

■ CONTENTS

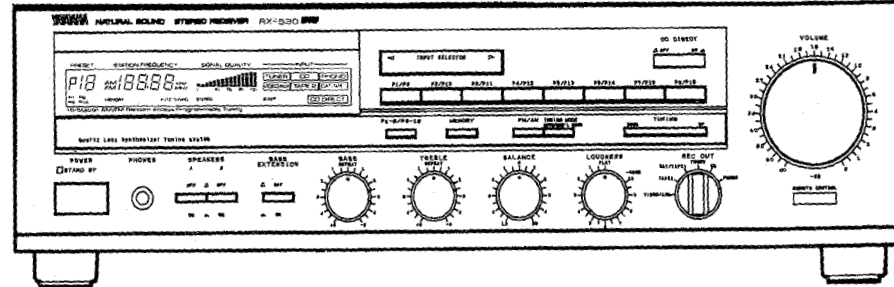
FRONT PANELS	1	IC BLOCK	12~13
REAR PANELS	1~2	WIRING	14
SPECIFICATIONS	3~4	BLOCK DIAGRAM	15
DIMENSIONS	4	PRINTED CIRCUIT BOARD	16~21
INTERNAL VIEW	4	SCHEMATIC DIAGRAM	22
DISASSEMBLY PROCEDURES	5	PARTS LIST	23~33
ADJUSTMENTS	5~9		

FRONT PANELS

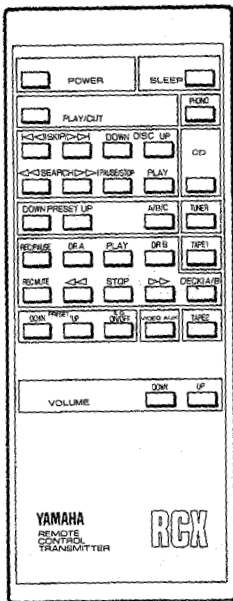
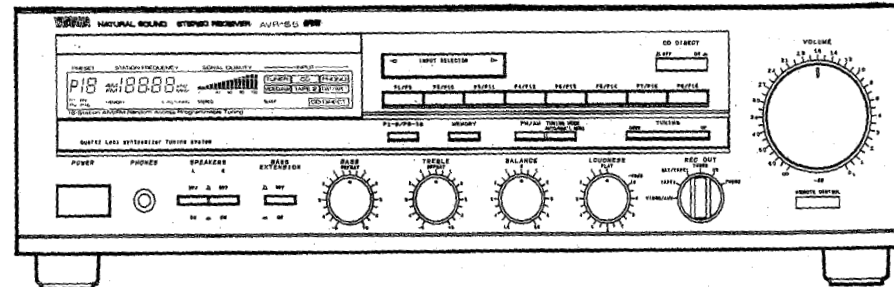
RX-530 (U.C.A,B model)



RX-530 (G model)



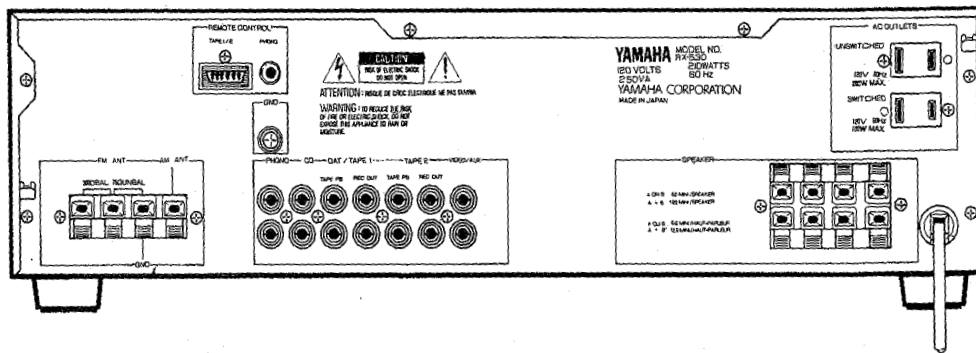
AVR-55 (R model)



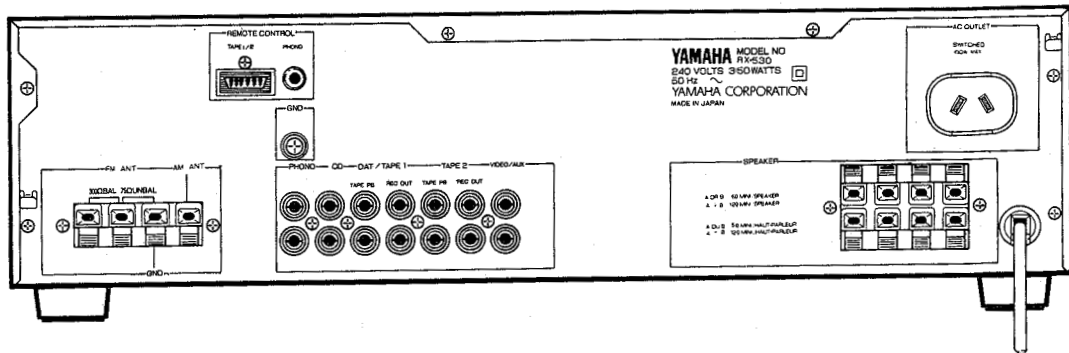
RX-530/AVR-55

REAR PANELS

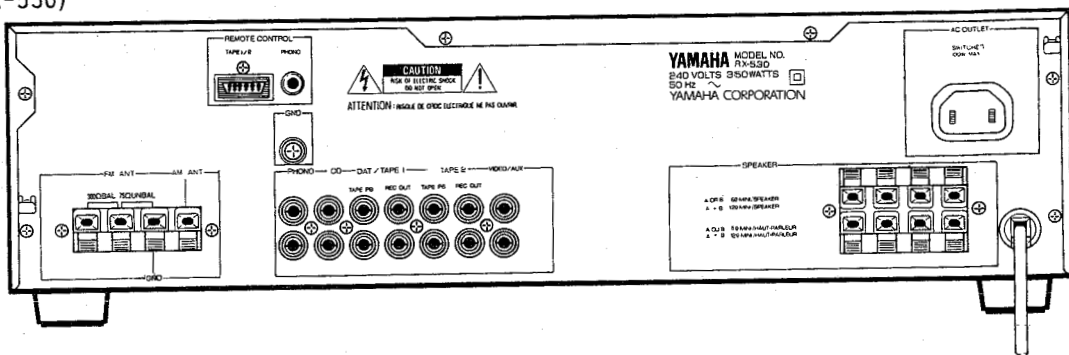
U.C model (RX-530)



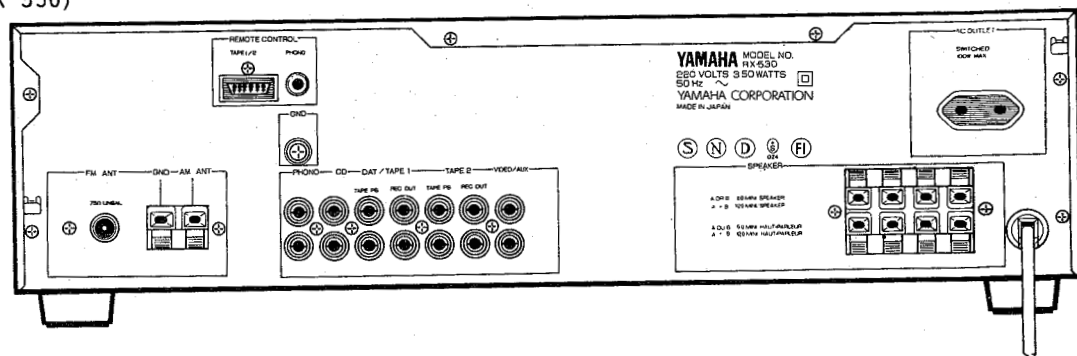
A model (RX-530)



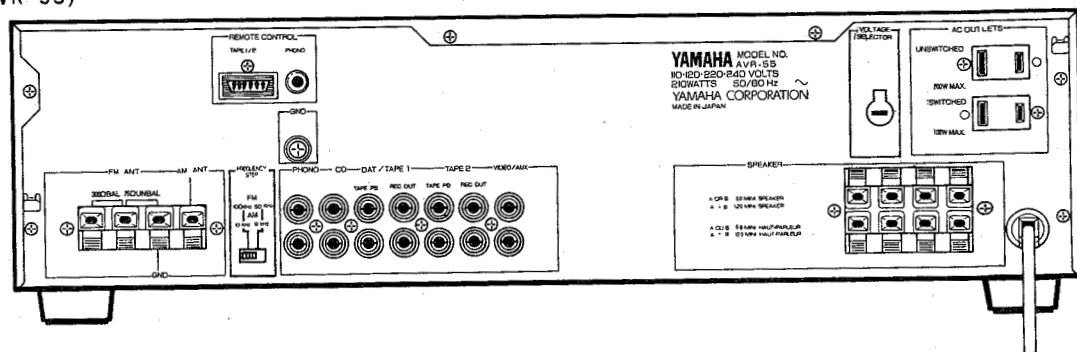
B model (RX-530)



G model (RX-530)



R model (AVR-55)



■ SPECIFICATIONS

AUDIO SECTION

Minimum RMS Output Power per Channel	
8 ohms, 20 Hz to 20 kHz, 0.02% THD	50 W
6 ohms, 20 Hz to 20 kHz, 0.04% THD	
[U.S.A. and Canada models]	55 W
[Australia, Europe, U.K. and General models]	53 W
Dynamic Power per Channel (IHF)	
8/6/4/2 ohms	
[U.S.A. and Canada models]	81/92/138/112 W
[Australia, Europe, U.K. and General models]	80/92/110/100 W
DIN Standard Output Power per Channel	
4 ohms, 1 kHz, 1% THD	
[Europe model only]	65 W
IEC Power (1 kHz, 0.04% THD 8/6 ohms)	
[Europe model only]	57/67 W
Power Band Width	
8 ohms, 25 W, 0.1% THD	10 Hz to 50 kHz
Damping Factor	
8 ohms, 1 kHz	50 or more
Input Sensitivity/Impedance	
PHONO	2.5 mV/47 k-ohms
CD/TAPE/VIDEO/AUX	150 mV/50 k-ohms
Input Sensitivity (New IHF)	
[U.S.A. and Canada models]	
PHONO	0.42 mV
CD/TAPE/VIDEO/AUX	25 mV
Maximum Input Signal Level (1 kHz, 0.01% THD)	
PHONO	110 mV
Output Level/Impedance	
REC OUT	150 mV/1 k-ohms
Headphone Jack Rated Output/Impedance	
8 ohms, 0.015% THD	0.7 V/ 220 ohms
Frequency Response (20 Hz to 20 kHz)	
CD/TAPE/VIDEO/AUX	±0.5 dB
RIAA Equalization Deviation	
PHONO	±0.5 dB
Total Harmonic Distortion (20 Hz to 20 kHz)	
PHONO to REC OUT (3 V)	0.01%
CD/TAPE/VIDEO/AUX to SP OUT (25 W/8 ohms)	0.012%
Intermodulation Distortion	
CD/TAPE/VIDEO/AUX (Rated Output/8 ohms)	0.012%
Signal-to-Noise Ratio (IHF-A Network)	
PHONO (5 mV Input Shorted)	
[Except Europe model]	88 dB
[Europe model]	83 dB
CD/TAPE/VIDEO/AUX (Shorted)	103 dB
Signal-to-Noise Ratio (New IHF)	
[U.S.A. and Canada models]	
PHONO	74 dB
CD/TAPE/VIDEO/AUX	85 dB
Residual Noise (IHF-A Network)	140 μV
Channel Separation (1 kHz, Vol. -30 dB)	
PHONO (Input Shorted)	55 dB
CD/TAPE/VIDEO/AUX	
(Input 5.1 k-ohms Terminated)	52 dB
Tone Control Characteristics	
BASS : Boost/cut	±10 dB (50 Hz)
Turnover Frequency	350 Hz
TREBLE : Boost/cut	±10 dB (20 kHz)
Turnover Frequency	3.5 kHz
Filter Characteristics	
Bass Extension	60 Hz, 8 dB/oct
Continuous Loudness Control	-40 dB (1 kHz)
(Level related equalization)	

FM SECTION

Tuning Range	
[U.S.A., Canada and General models]	87.5 to 107.9 MHz
[Australia, Europe, U.K. and General models]	87.5 to 108.0 MHz
50 dB Quieting Sensitivity (IHF, 75 ohms)	
[Except Europe model]	
Mono	1.55 μV (15.1 dBf)
Stereo	21 μV (37.7 dBf)
Usable Sensitivity (75 ohms)	
(30 dB S/N Quieting, 1 kHz, 100% mod.)	
[Except Europe model]	0.8 μV (9.3 dBf)
DIN, Mono (S/N 26 dB) [Europe model]	1.4 μV
DIN, Stereo (S/N 46 dB) [Europe model]	30 μV
Image Response Ratio	
[Except Europe model]	45 dB
[Europe model]	80 dB
IF Response Ratio	80 dB
Spurious Response Ratio	70 dB
AM Suppression Ratio	55 dB
Capture Ratio	1.5 dB
Alternate Channel Selectivity	
[Except Europe model]	85 dB
Selectivity (two signals, 40 kHz Dev.)	
[Europe model]	50 dB
Signal-to-Noise Ratio	
(IHF) Mono/Stereo	
[Except Europe model]	81/76 dB
(DIN-weighted, 40 kHz Dev.) Mono/Stereo	
[Europe model]	75/70 dB
Harmonic Distortion (1 kHz)	
Mono/Stereo	
[Except Europe model]	0.1/0.1%
Mono/Stereo	
[Europe model (40 kHz Dev.)]	0.1/0.1%
Frequency Response	
30 Hz to 15 kHz	0 ±0.5 dB
Stereo Separation (1 kHz)	
[Except Europe model]	50 dB
[Europe model (40 kHz Dev.)]	50 dB

AM SECTION

Tuning Range	
[U.S.A., Canada and General models]	530 to 1,610 kHz
[Australia, Europe, U.K. and General models]	531 to 1,611 kHz
Usable Sensitivity	250 μV/m
Selectivity	32 dB
Signal-to-Noise Ratio	50 dB
Image Response Ratio	40 dB
Spurious Response Ratio	50 dB
Harmonic Distortion (400 Hz)	0.3%
AUDIO SECTION	
Output Level/Impedance	
FM (100 % mod., 1 kHz)	
[Except Europe model]	150 mV/3.8 k-ohms
[Europe model (40 kHz Dev.)]	400 mV/3.8 k-ohms
AM (30% mod., 1 kHz)	
[Except Europe model]	150 mV/3.8 k-ohms
[Europe model (40 kHz Dev.)]	150 mV/3.8 k-ohms

GENERAL

Power Supply

- [U.S.A. and Canada models] AC 120 V, 60 Hz
- [Australia and U.K. models] AC 240 V, 50 Hz
- [Europe model] AC 220 V, 50 Hz
- [General model] AC 110-120/220-240 V, 60/50 Hz

Power Consumption

- [U.S.A., Canada and General models] 210 W
- [Australia, Europe and U.K. models] 350 W

AC Outlets

- [U.S.A., Canada and General models]
- Switched 100 W max.
- Unswitched 200 W max.
- [Australia, Europe and U.K. models]
- Switched 100 W max.

Dimensions (W x H x D) 435 x 126 x 289 mm
 (17-1/8" x 4-15/16" x 11-3/8")

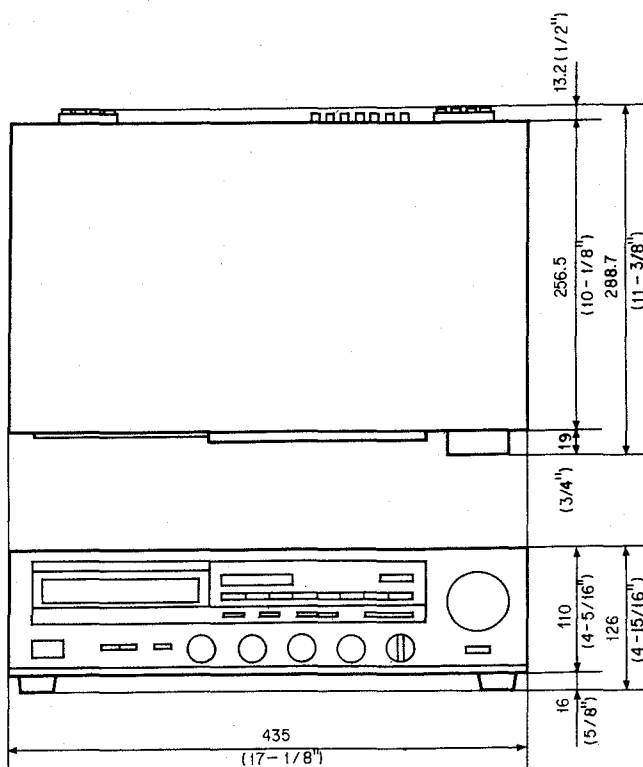
Weight 5.6 kg (12 lbs. 5 oz.)

- Accessories
- AM loop antenna x 1
 - Indoor FM antenna x 1
 - Remote control cable (mini-plug) x 1
 - Remote control cable (6-pin) x 1
 - Remote control transmitter x 1
 - Battery x 2

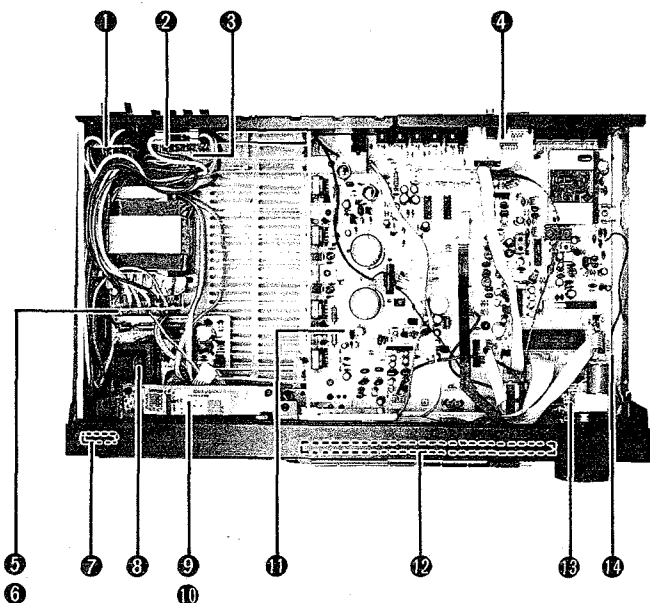
Specifications subject to change without notice.

- (U)U.S.A. model (G)European model
- (C)Canadian model (B)British model
- (A)Australian model (R)Others model

■ DIMENSIONS



■ INTERNAL VIEW



- ① POWER SUPPLY CIRCUIT BOARD (3)
(U.C.R Models)
- ② POWER SUPPLY CIRCUIT BOARD (4)
(A.B.G Models)
- ③ POWER SUPPLY CIRCUIT BOARD (5)
(R Model Only)
- ④ MAIN CIRCUIT BOARD (4)
- ⑤ MAIN CIRCUIT BOARD (7)
- ⑥ POWER SUPPLY CIRCUIT BOARD (2):TOP SIDE
- ⑦ MAIN CIRCUIT BOARD (5):BOTTOM SIDE
- ⑧ POWER SUPPLY CIRCUIT BOARD (6)
(A.B.G Models)
- ⑨ POWER SUPPLY CIRCUIT BOARD (1)
- ⑩ LCD CIRCUIT BOARD:TOP SIDE
- ⑪ MAIN CIRCUIT BOARD (3):BOTTOM SIDE
- ⑫ MAIN CIRCUIT BOARD (1)
- ⑬ MAIN CIRCUIT BOARD (6)
- ⑭ MAIN CIRCUIT BOARD (2)
- ⑮ MAIN CIRCUIT BOARD (9)

■ DISASSEMBLY PROCEDURES (Remove parts in disassembly order as numbered)

1. Removal of Top Cover

Remove 7 screws (①) in Fig.1 and slide the Top Cover back and up.

2. Removal of Front Panel

Remove 3 screws (②) and 4 hooks in Fig.1, and pull the Front Panel forward.

3. Check of Main Circuit Board (1) and replacement of parts.

a. Remove 12 screws (③) in Fig.1.

b. Remove the Main Chassis as shown in Fig.2.

In this condition it is possible for you to check the Main circuit Board (1), and replace the parts.

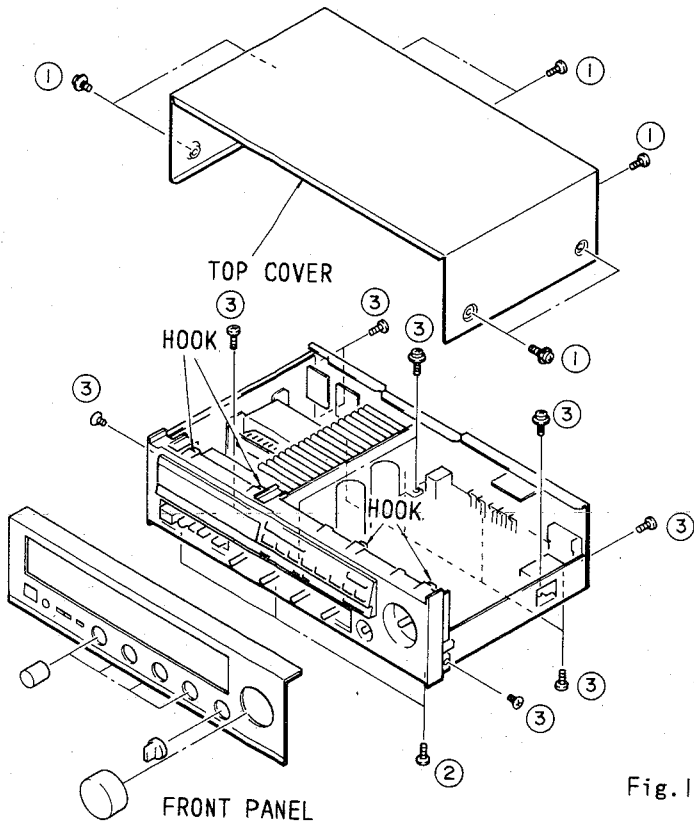


Fig.1

MAIN CIRCUIT BOARD (1)

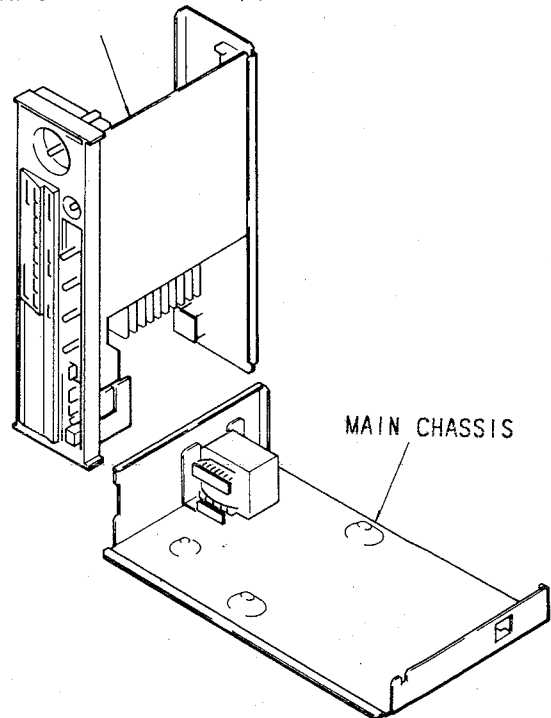


Fig.2

■ ADJUSTMENTS

1. Before adjustment

- 1) After the power switch is pushed on, wait for 5 minutes before measuring, to be sure of the most stable operation.
- 2) Adjust the OSC coil and IFT with a nonferrous screw driver.
- 3) Set the switches to the following positions.
RECEIVING MODE.....AUTO
TUNING MODE.....AUTO
- 4) Proceed with the AM section adjustments after having finished the FM section adjustment.
- 5) $0\text{dB}\mu = 1\mu\text{V}$ Ex.: $60\text{dB}\mu = 1\text{mV}$

2. Measuring instruments abbreviation

- | | |
|---------|---------------------------|
| FM SG | : FM signal generator |
| SSG | : Stereo signal generator |
| AM SG | : AM signal generator |
| DIST.M | : Distortion meter |
| FC | : Frequency counter |
| A.C.V.M | : AC voltmeter |
| D.C.V.M | : DC voltmeter |

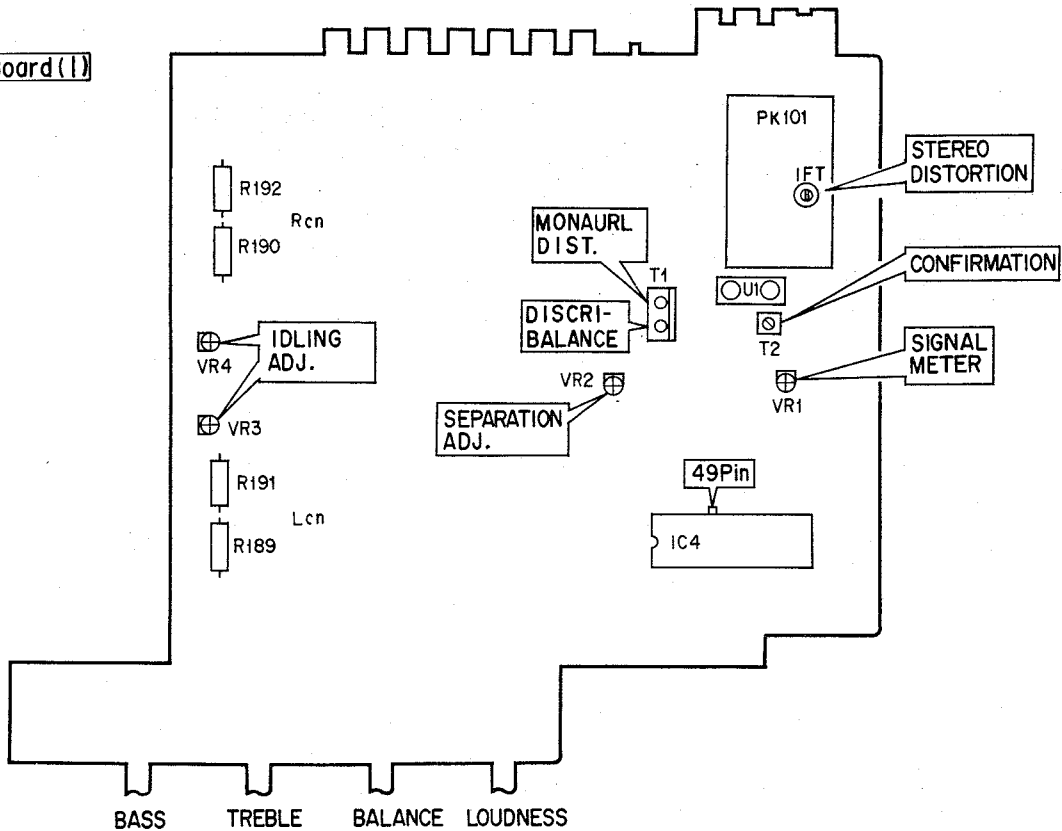
<POWER SUPPLY CHECK>

Check that the following voltages are obtained respectively across each test point and ground on main circuit.

Tast point	Rating or standard	Remark								
Q123 EMITTER	+12.8V±0.5V DC	Make sure that AC line voltage comes within <table border="1"> <thead> <tr> <th>Models</th> <th>AC line voltage</th> </tr> </thead> <tbody> <tr> <td>U,C</td> <td>120V±10%</td> </tr> <tr> <td>G</td> <td>220V±10%</td> </tr> <tr> <td>A,B</td> <td>240V±10%</td> </tr> </tbody> </table>	Models	AC line voltage	U,C	120V±10%	G	220V±10%	A,B	240V±10%
Models	AC line voltage									
U,C	120V±10%									
G	220V±10%									
A,B	240V±10%									
Q124 EMITTER	-12.9V±0.5V DC									
Q125 EMITTER	+5.6V±0.3V DC									
D4 ANODE	+5.6V									
CATHODE	+5.0V±0.3V DC									
Power Amp. DC OFFSET	0±0.1V DC									

● TEST POINT

Main Circuit Board (1)



<AUDIO SECTION >

● IDLING CURRENT ADJUSTMENT

When replacing the power and drive transistors, adjust idling current. After the power has been turned on, age about 5 minutes in non loaded condition. Adjust VR3(Lch) and VR4(Rch) so that the voltage across the terminals of R189(or R191) and R190(or R192) come to 8mV ~15mV DC.

*After the power has been turned on, age about 5 minutes to obtain 2 to 3mV.

Check to make sure that the output voltage is as given below.

	Test points	Adjustment point	Rating
Lch	Across the terminals of R189(or R191)	VR3	6mV~15mV DC
Rch	Across the terminals of R190(or R192)	VR4	6mV~15mV DC

<FM TUNER SECTION>

- Use 19kHz L.P.F. to measure the RECOU
- 100% modulation means that the Frequency Deviation is 75kHz. (R.U.C.A.B)
- For the G model, Frequency Deviation is 40kHz.
- For the G,B models. install the Matching Transformer and connect FM SG.

- On step 1 and 2 connect the auxiliary center meter (Ji00036 or similar) to confirm the best tuned point.
- Shorting IC4(49pin) and GND while set at FM will result in automatic memory of each preset from P1/P9 to P8/P16 as given in the under table. This is convenient when making an adjustment.

	SW107 ※ (R model only)	P1/P9	P2/P10	P3/P11	P4/P12	P5/P13	P6/P14	P7/P15	P8/P16
U.C	AM FM 10kHz 100kHz	AM 630kHz	AM 1080kHz	AM 1440kHz	FM 87.5MHz	FM 95.1MHz	FM 98.1MHz	FM 101.5MHz	FM 107.9MHz
A.B.G	AM FM 9kHz 50kHz	AM 630kHz	AM 1080kHz	AM 1440kHz	FM 87.5MHz	FM 95.1MHz	FM 98.1MHz	FM 101.5MHz	FM 108.0MHz

Note : ※ Marked.

U,C models change by step of AM10kHz, FM200kHz.

A,G,B models change by step of AM9kHz, FM50kHz.

Everytime you push SW101, the SW101 will change to step of U,C or to step of A,B,G

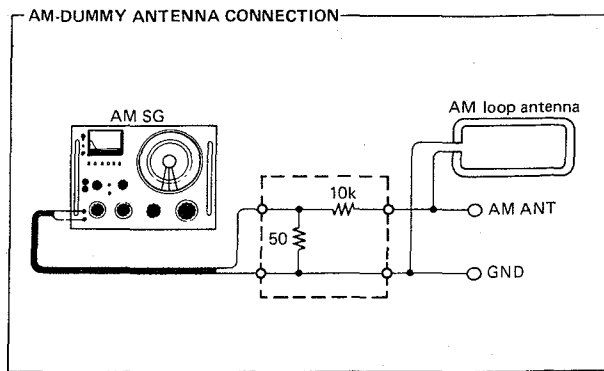
Step	Item to be adjusted	Connection terminal	Instrument required	Adjustment locations	Adjustment method	Rating or standard	Remarks
1	Discriminator balance	FM ANT 300Ω / 75Ω	FM SG 98.1MHz 70dB μ MONO 1kHz 100% MOD	T1 (Discri- Coil)	Receive 98.1MHz and adjust to that digital voltmeter voltage reading is 0 ±50mV or Adjust the pointer of the auxiliary center meter point to "0" at tuned point.	0 ±50mV DCVM	Tuned point.
		TPI and TP2	DCVM or Auxiliary center meter				
2	Confirmation of station center set	Same as step 1	Same as step 1		Confirm that the auxiliary center meter deflects to "0" when tuned to signal of FM SG.		Same as step 1

RX-530/AVR-55

Step	Item to be adjusted	Connection terminal	Instrument required	Adjustment locations	Adjustment method	Rating or standard	Remarks
3	Monaural distortion	FM ANT 300Ω /75 Ω	FM SG 98.1MHz 70dB μ MONO 1kHz 100% MOD	T1 (MONO)	Make distortion rate minimum	-43dB or less (1kHz)	
		REC OUT	DIST-M LPF, OSC				
4	Stereo distortion	FM ANT 300Ω /75 Ω	FM SG SSG 98.1MHz 70dB μ STEREO L,R 1kHz 100% MOD	Front end IFT	Make distortion minimum	-35dB or less (1kHz)	Check that STEREO indicator lights.
		REC OUT	DIST-M LPF, OSC				
5	Confirmation of Monaural distortion	FM ANT 300Ω /75 Ω	FM SG 98.1MHz 70dB μ MONO 1kHz 100% MOD		Confirm that the monaural distortion is satisfied the specifications.		
		REC OUT	DIST-M LPF				
6	Sensitivity	FM ANT 300Ω /75 Ω	FM SG 98.1MHz MONO 1kHz 100% MOD		Read antenna terminal voltage with an S/N ratio of 30dB using an FM SG.	4dB μ or less (Except G) 6dB μ or less (G model)	
		REC OUT	ACVM OSC				
7	Separation adjustment	FM ANT 300Ω /75 Ω	FM SG SSG 98.1MHz 70dB μ STEREO L,R 1kHz 100% MOD	VR2 (SEPARATION)	Set SSG output to L or R and make signal leakage for opposite channel minimum	40dB or less	
8	Confirmation of Discriminator balance	FM ANT 300Ω /75 Ω	FM SG 98.1MHz 70dB μ MONO 1kHz 100% MOD		Digital Voltmeter- voltage reading is 0 ± 50mV		If not, return to step one and read-just
		TP1 and TP2	DCVM				
9	Signal meter	FM ANT 300Ω /75 Ω	FM SG 98.1MHz 70dB μ	VR1	Check that all indicators light.		If not adjsted, none light
10	Confirmation of auto search reception	FM ANT 300 Ω /75 Ω	FM SG 98.1MHz. 25dB μ/75 Ω MONO 1kHz 30% MOD		Check that auto search reception is possible with UP/DOWN switch.		Sound is muted during search operation

< AM TUNER ADJUSTMENT >

- Connect the AM loop antenna to the AM ANT terminal.
- Connect the AM dummy antenna for adjustment to AM SG.
- Check that the AM SG precision is within $\pm 0.1\text{kHz}$.

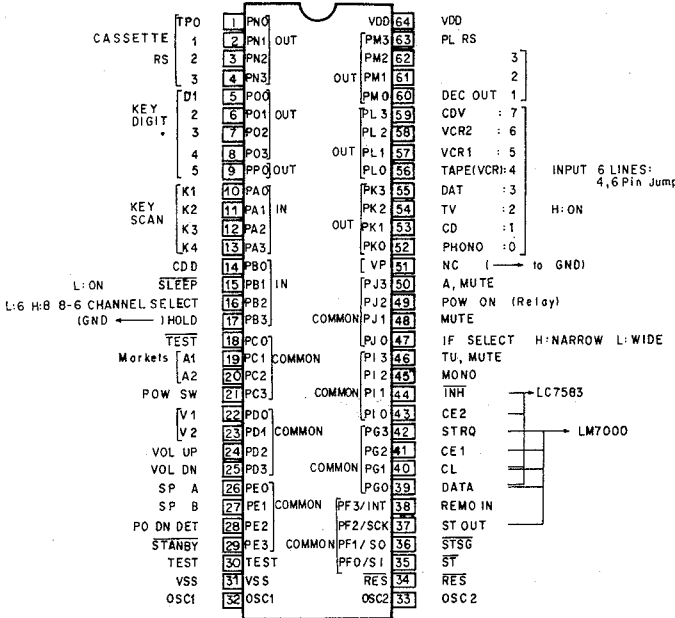


Step	Item to be adjusted	Connection terminal	Instrument required	Adjustment locations	Adjustment method	Rating or standard
1	Confirmation of sensitivity	AM ANT	AM dummy antenna AM SG 630kHz 1080kHz 1440kHz 400Hz, 30% MOD	T2	Find the AM loop antenna to the AM ANT terminal. Adjust T2 to maximize detector output.	58dB μ or less
		REC OUT	ACVM DST-M			
2	Confirmation of auto-search	AM ANT	AM dummy antenna AM SG 1080kHz 60dB μ 400Hz, 30% MOD		Check that auto search reception is possible with the UP/DOWN switch.	

< DIGITAL CONTROL SECTION >

Step	Confirmation item	Connection terminal	Instrument required	Operation key	Confirmation method
1	Preset memory	300 Ω /75 Ω FM ANT	FM SG, SSG 98.1MHz $\pm 1\text{kHz}$ 70dB μ STEREO, L, R 1kHz, 100% MOD	FM, AM TUNING MODE TUNING (UP or DOWN) MEMORY PRESET STATION PI-P8/P9-PI6	1. Receive FM 98.1MHz by means of auto search. 2. Press MEMORY key \rightarrow MEMORY indicator flashes about 5 seconds. 3. Press PI \rightarrow MEMORY indicator goes OFF PI indicator lights. 4. Receive AM 1080kHz 5. Press MEMORY key \rightarrow MEMORY indicator flashes about 5 seconds. 6. Press P2 \rightarrow MEMORY indicator goes OFF P2 indicator light. 7. Press PI and P2 and check that Content is read out properly. \rightarrow PI and P2 light.
		AM ANT	AM SG AM dummy antenna 1080kHz $\pm 0.1\text{kHz}$ 80dB μ 400Hz, 30% MOD		
2	Tuning modes	Same as step 1	Same as step 1	FM, AM TUNING MODE TUNING (UP or DOWN)	Tune to FM 98.1MHz and AM 1080kHz and check that when receiving MAN'L/MONO, FM reception become forced mono TUNING MODE indicator \rightarrow lights up ST indicator \rightarrow Goes out Check that tuning Operation stops when tuned while AUTO searching. TUNING MODE indicator \rightarrow lights up ST indicator \rightarrow Goes out
3	Last station memory			PRESET STATION PI POWER	1. Press PI. \rightarrow FM 98.1MHz is read out. 2. Tune POWER key OFF. 3. After 5 seconds, turn POWER key on. 4. Check that PI content is read out. \rightarrow PI indicator lights. FM 98.1MHz is displayed.

IC BLOCK
 IC4 : LC6554H-3960
 (4-Bit μ - COM)



PIN22,23:VIDEO SELECT

	CDV	VCR 1	VCR 2
V 1	1	0	1
V 2	0	1	1

PIN19,20:TUNER MARKETS SELECT

	E	U	R
A 1	1	1	1
A 2	0	1	0

PIN60,61,62:INPUT SELECT

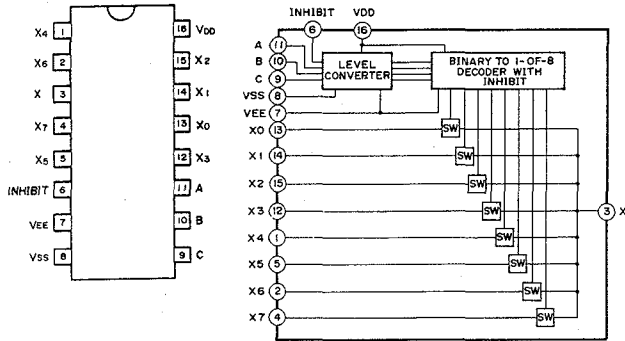
	0	1	2	3	4	5	6	7
	PH	CD	TU	DAT	TAP	VI	V2	CDV
PM 0	0	1	0	1	0	1	0	1
PM 1	0	0	1	1	0	0	1	1
PM 2	0	0	0	0	1	1	1	1

KEY MATRIX

	K 1	K 2	K 3	K 4
D 1	SP.A	SP.B	MEMO	A/B
D 2	TUNER ▷	TUNER ◁	FM/AM	AUTO/MAN'L
D 3	P1/P9	P2/P11	P3/P11	P4/P12
D 4	P5/P13	P6/P14	P7/P15	P8/P16
D 5	A.MUTE	IF MODE N/W	INPUT ▷ UP	INPUT ◁ DN

PIN	I/O	FUNCTION	OPTION	PIN	I/O	FUNCTION	OPTION
1	PN 0	TP 0	PD	64	V _{DD}	- V _{DD}	
2	PN 1	TP 1	PD	63	PM 3	0	PLRS
3	PN 2	TP 2	PD	62	PM 2	0	OUT 3
4	PN 3	TP 3	PD	61	PM 1	0	OUT 2
5	PO 0	D1	OD	60	PM 0	0	OUT 1
6	PO 1	D2	OD	59	PL 3	0	CDV
7	PO 2	D3	OD	58	PL 2	0	VCR 2
8	PO 3	D4	OD	57	PL 1	0	VCR 1
9	PP 0	D5	OD	56	PL 0	0	TAPE/VCR
10	PA 0	K1	-(EX PD)	55	PK 3	0	DAT
11	PA 1	K2	-(EX PD)	54	PK 2	0	TUN
12	PA 2	K3	-(EX PD)	53	PK 1	0	CD
13	PA 3	K4	-(EX PD)	52	PK 0	0	PHONO
14	PB 0	CDD	51	V _p	-	V _p	PULL DOWN SOURCE to GND
15	PB 1	SLEEP	50	PJ 3	0	A MUT	AUDIO MUTE H:ON L:OFF
16	PB 2	8-6 CHANNEL SELECT (H:8 IN L:6 IN)	49	PJ 2	0	TEST	TUNER TEST TERMINAL
17	PB 3	HOLD (NC) to GND	48	PJ 1	0	MUTE	MUTE H:ON L:OFF
18	PC 0	PON	47	PJ 0	0	WIDE	FM IF RANGE SELECT
19	PC 1	A1	46	PI 3	0	T MUT	TUNER MUTE H:MUTE L:OFF
20	PC 2	A2	45	PI 2	0	MONO	MONAURAL H:MONO L:AUTO
21	PC 3	PSW	44	PI 1	0	INH	LC7583 INH
22	PD 0	VI	43	PI 0	0	CE 2	LC7583 CE
23	PD 1	V2	42	PG 3	0	STRQ	LM7000N STRQ
24	PD 2	VOLUP	41	PG 2	0	CE 1	LM7000N CE
25	PD 3	VOLDN	40	PG 1	0	CI	LC7583 LM7000N CLOCK
26	PE 0	SP.A	39	PG 0	0	DATA	LC7583 LM7000N DATA
27	PE 1	SP.B	38	PF 3	1	REMO	REMOTE CONTROL INPUT
28	PE 2	PODN	37	PF 2	0	STO	ST OUT
29	PE 3	STBY	36	PF 1	1	STSG	STOP SIGNAL
30	TEST	TEST	35	PF 0	1	ST	STEREO
			34	RES	1	RES	RES
			33	OSC 2	-	OSC 2	
			32	OSC 1	-	OSC 1	
			31	Vss	-		

IC102,103 : TC4051BP
(Single 8-Channel Multiplexer/Demultiplexer)

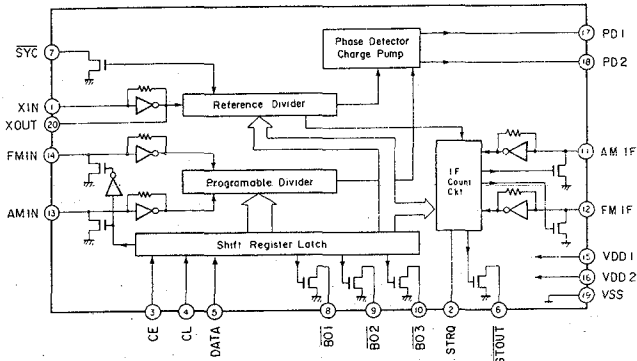


Truth Table

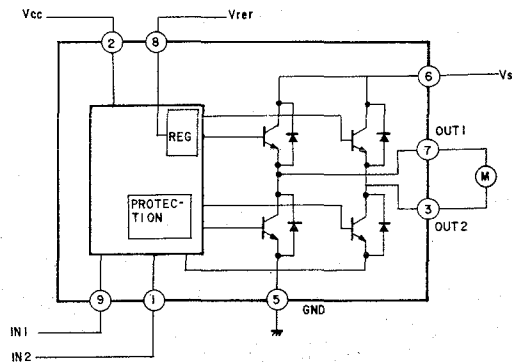
INHIBIT	CONTROL INPUT			"ON" CHANNEL
	C	B	A	
L	L	L	L	X ₀
L	L	L	H	X ₁
L	L	H	L	X ₂
L	L	H	H	X ₃
L	H	L	L	X ₄
L	H	L	H	X ₅
L	H	H	L	X ₆
L	H	H	H	X ₇
H	X	X	X	NONE

H: HIGH LEVEL L: LOW LEVEL X: H or L

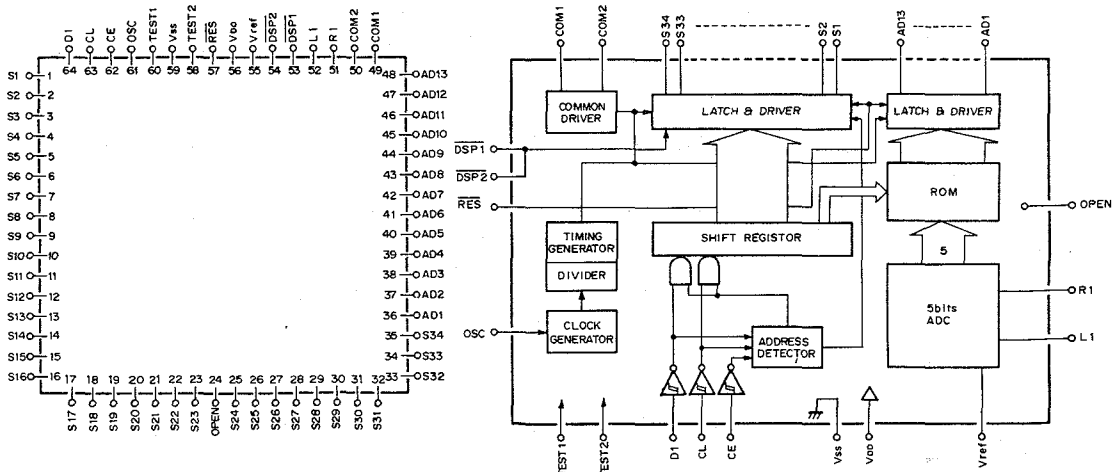
IC3 : LM7000N
(PLL)



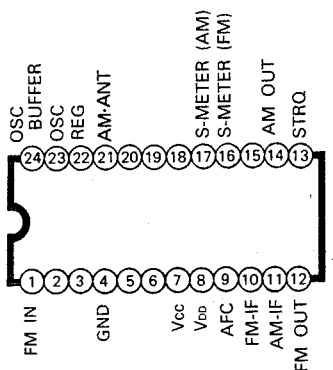
IC5 : TA7291S
(Full Bridge Motor Driver)



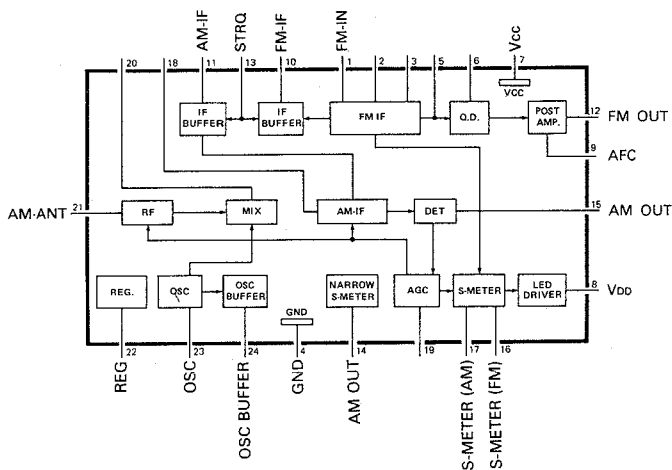
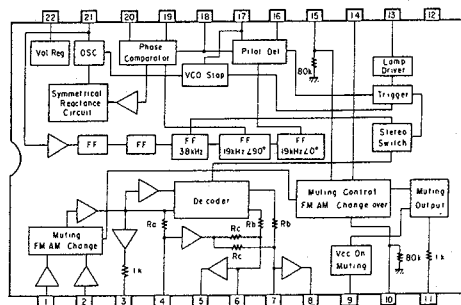
IC901 : LC7583
(LCD Driver)



IC1 : LA1266
(AM/FM IF)

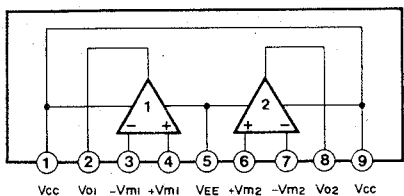


IC2 : LA3401
(MPX)

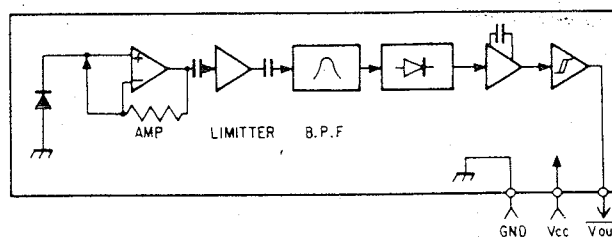


Pin No.	Function
1	Input (AM)
2	Input (FM)
3	Composite Amp Output
4	Separation Adj
5	Post Amp Output
6	Post Amp Input
7	Post Amp Input
8	Post Amp Output
9	Muting ON (Vcc)
10	AM/FM Select
11	Muting Output
12	GND
13	Stereo Indicator
14	Mute Select
15	Muting
16	Pilot Detector Filter
17	Pilot Detector Filter, VCO Stop
18	PLL Input
19	Loop Filter
20	Loop Filter
21	OSC
22	Vcc

IC101,104 : NJM2043S
(Dual Ope-Amp)



U2 : GPIU501X
(Remote Control Receptor Unit)



Remote Control Terminal (Tape)



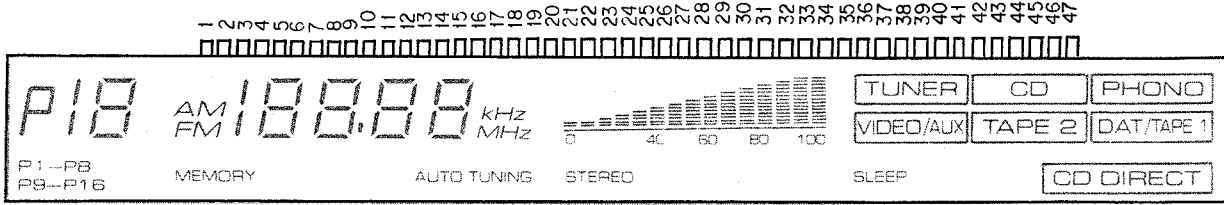
NC TR0 TR1 TR2 TR3 NC

TR3	TR2	TR1	TR0	MODE
L	L	L	L	NO DATA
L	L	L	H	STOP
L	L	H	L	FF
L	L	H	H	REW
L	H	L	L	PLAY
L	H	L	H	REC PAUSE
L	H	H	L	REC MUTE
L	H	H	H	FADER
H	L	L	L	CUE
H	L	L	H	REVIEW
H	H	L	L	DIRECTION

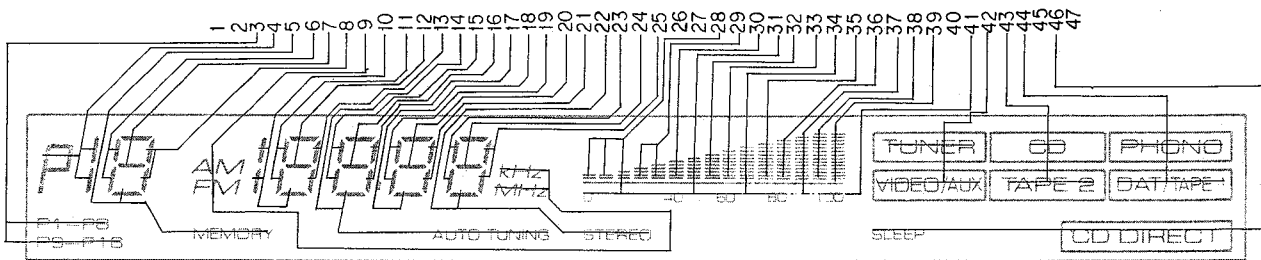
Note) H 3V ~ 5V
L Less than 0.6V
Pulse .. More than 30msec

• DISPLAY Pin Connection

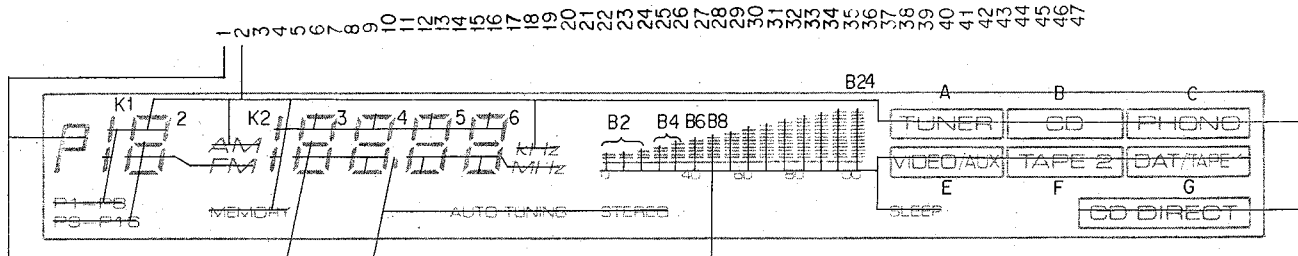
LCD : LCD8047MJP



SEGMENT



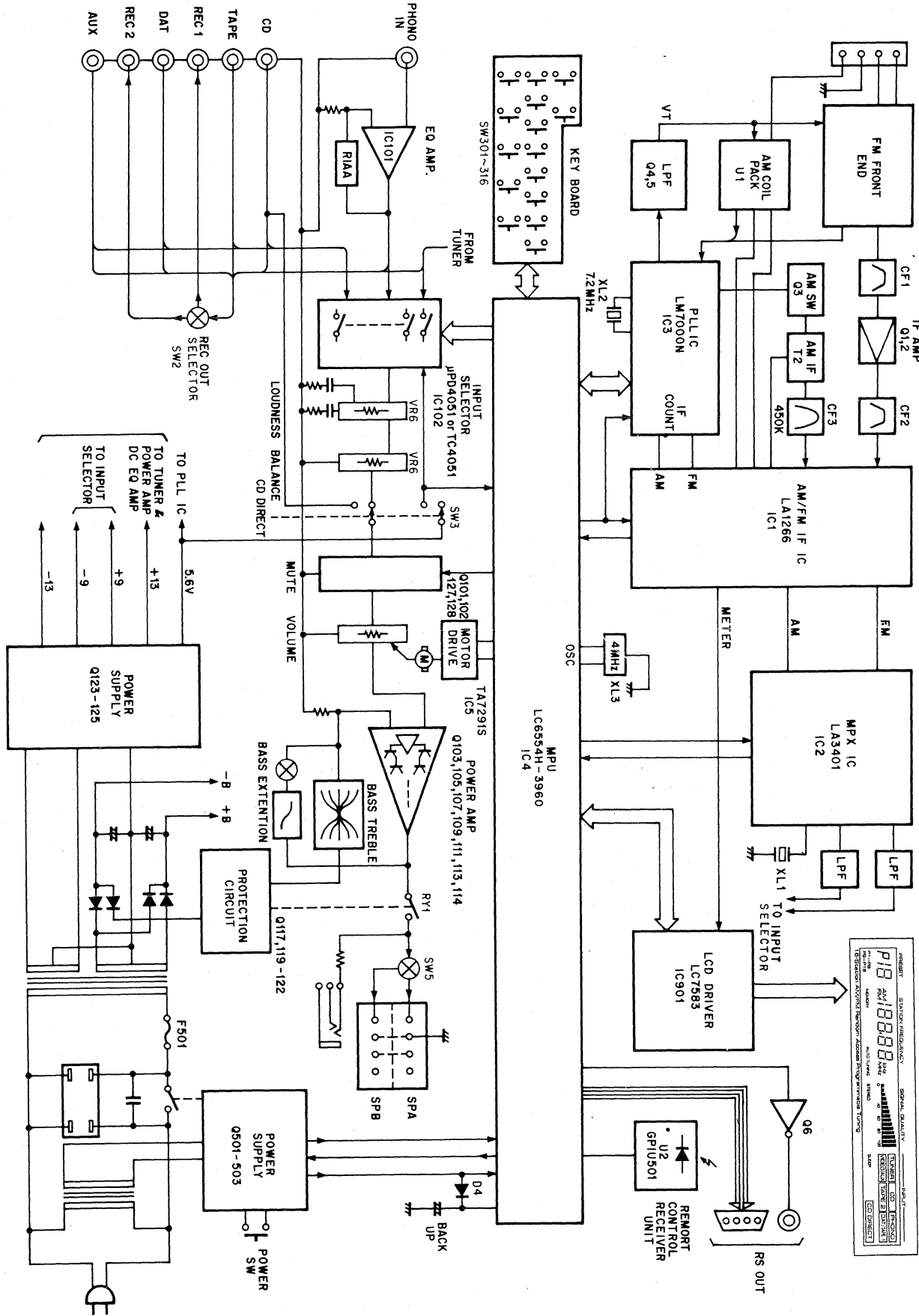
COMMON



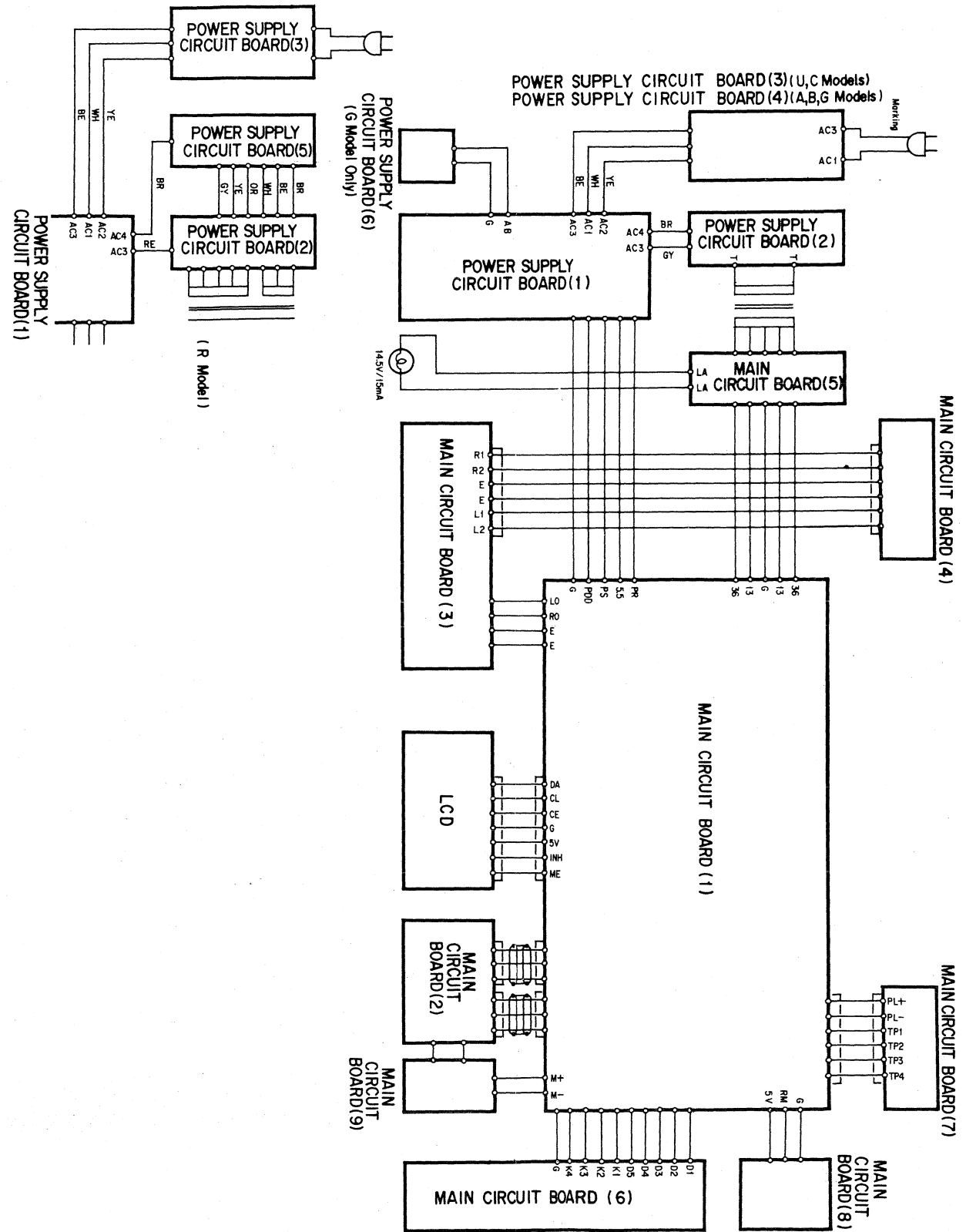
IC	50	49	27	26	25	23	22	21	20	19	18	17	16	15	14	13	12	11
PIN NO																		
NO	1	2	3	4	5	6	7	8	9	10	11	12	13	14	15	16	17	18
COM1	-	COM	P1-P8	K1	MEMORY	2f	2a	2b	AM	K2	3f	3a	3b	※ 1	4f	4a	4b	COL
COM2	COM	-	P9-P18	P	2d	2e	2g	2c	FM	3d	3e	3g	3c	4d	4e	4g	4c	5d
IC	10	9	8	7	6	5	4	3	2	36	37	38	39	40	41	42	43	44
PIN NO																		
NO	19	20	21	22	23	24	25	26	27	28	29	30	31	32	33	34	35	36
COM1	5f	5a	5d	5b	6f	6a	6b	-	-	-	-	-	-	-	-	-	-	-
COM2	5e	5g	5c	5c	6e	6g	6c	-	-	B2	B4	B6	B8	B10	B12	B14	B16	B18
IC	45	46	47	34	33	32	31	30	29	28	-							
PIN NO																		
NO	37	38	39	40	41	42	43	44	45	46	47							
COM1	-	-	-	-	-	A	B	C	-	※ 3	-							
COM2	B20	B22	B24	-	※ 2	E	F	G	-	SLEEP	-							

- ※ 1 AUTO TUNING
- ※ 2 0 40 60 80 100
- ※ 3 CD DIRECT

■ BLOCK DIAGRAM

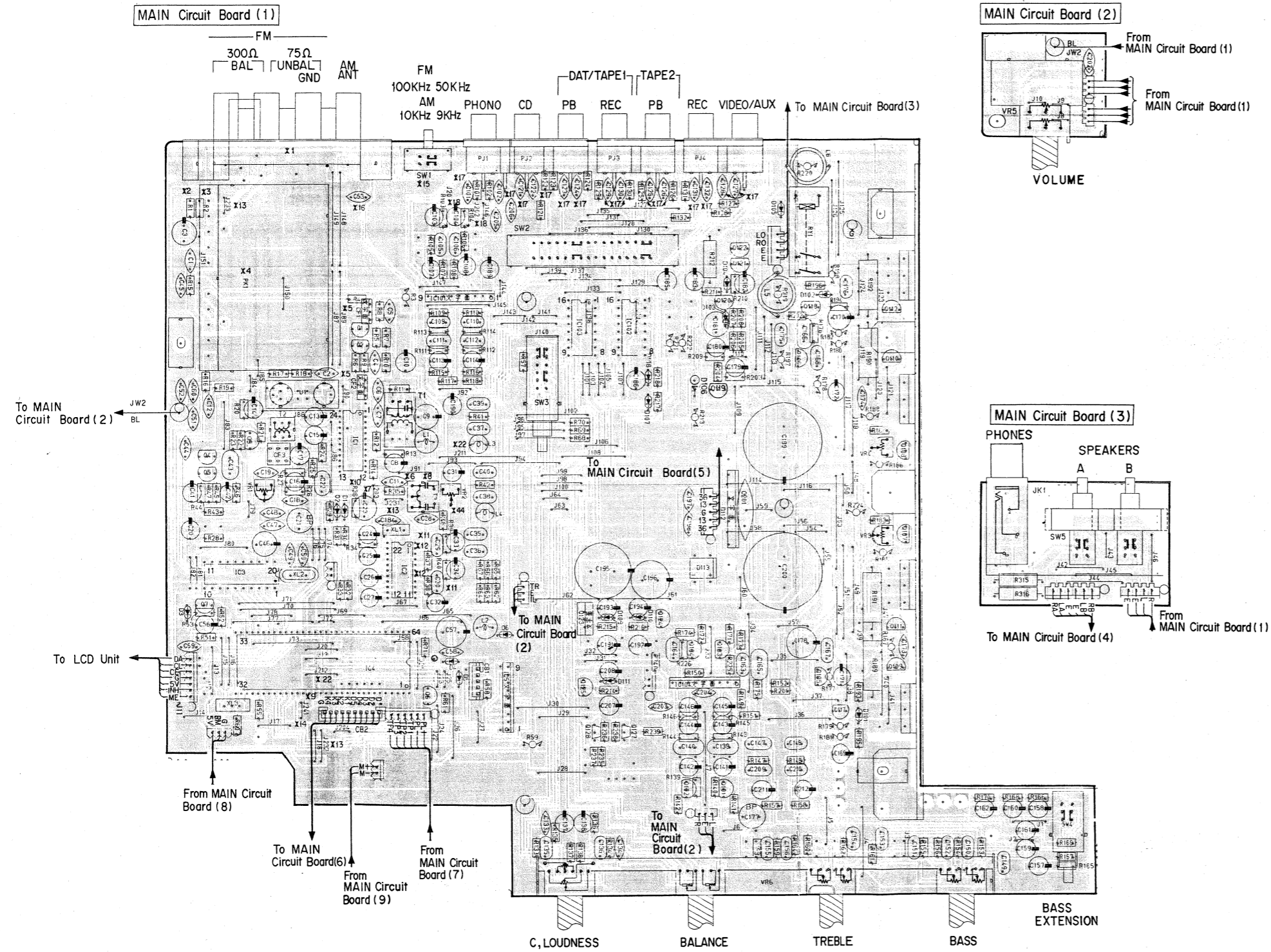


■ WIRING



RX-530/AVR-55

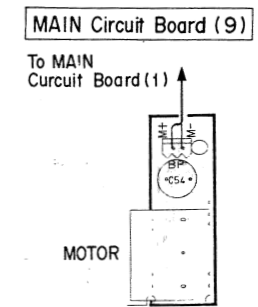
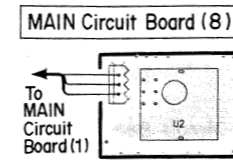
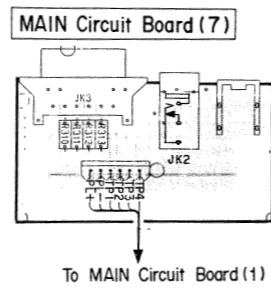
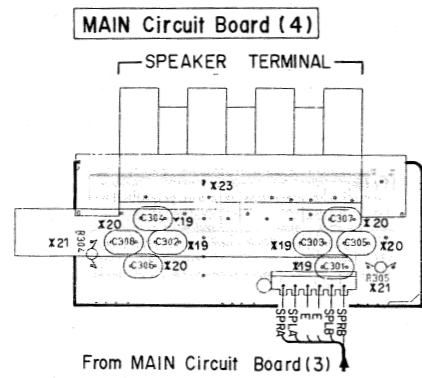
PRINTED CIRCUIT BOARD (Pattern Side)



* No.	U.C	R	A	B	G
1	ANT	VE36520			VE36500
2	R1	OPEN			470K
3	R2	OPEN			390K
4	PK1	TFF61U117A			TFF63E1114A
5	CF1-2	SFE 1.0 7MMH-A			SFE 1.0 7M53GHY-A
6	C11	100P			OPEN
7	R35	OPEN			4.7K
8	T3	OPEN			6E20053
9	J203-204	SHORT			OPEN
10	R36	10K			22K
11	C29-30	⊙ 1200P	▷ P 750P/100		▷ P 350P/100
12	R37-38	62K			120K
13	J231-233	OPEN		SHORT	
14	J241	OPEN		SHORT	
15	SW1	OPEN	VA94530	OPEN	
16	C53	OPEN	0.01	OPEN	
17	C101-102 C121-132	OPEN			220P
18	R103-104	SHORT			1.8K
19	C301-304	OPEN			⊙ 4700P
20	C305-308	OPEN			⊙ 0.01
21	R304-305	OPEN			▷ 4.7
22	J211-212	OPEN			SHORT
23	SP TERMINAL	VG74170	SHORT	OPEN	
24	J531	SHORT		OPEN	
25	R506	OPEN			2.2K
26	D506	OPEN			SLR-34UC3H3
27	R508	OPEN	10K	OPEN	
28	D504	OPEN	MTZJ13C	OPEN	
29	D505	OPEN	2SA1115 2SA1310	OPEN	
30	D506	OPEN	2SC2577	OPEN	
31	SW501	KAB0455			KAB0447
32	R509	2.2M 1/2P	OPEN		
33	T501	XC083	XC082	XC084	
34	RY501	VE99920 or VF67810			VD10730 or VE56890
35	SW502	OPEN	VA95180	OPEN	
36	J561	OPEN		SHORT	OPEN
37	F503	OPEN			T2-5/250V
38	F502	OPEN	T2-0/250V	OPEN	
39	J541	OPEN	SHORT	OPEN	
40	F501	4M/250V	T4A250V	T1-6A250V	
41	J501-503	SHORT			OPEN
42	J521-522	OPEN			SHORT
43	J551	SHORT	OPEN	SHORT	
44	R48	22K			4.7K
45	AC OUTLET	LB40146		VC62610	VC62700
46	LAPPING TERMINAL	OPEN		LA00241	
47	COVER CAPACITOR	OPEN			C864467

PRINTED CIRCUIT BOARD (Pattern Side)

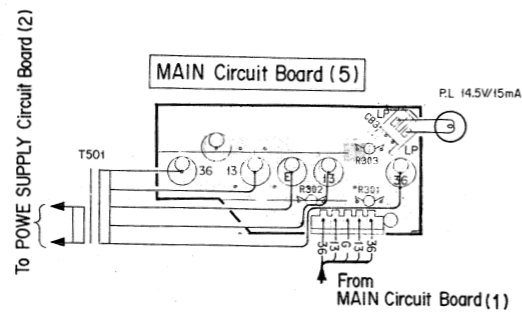
1



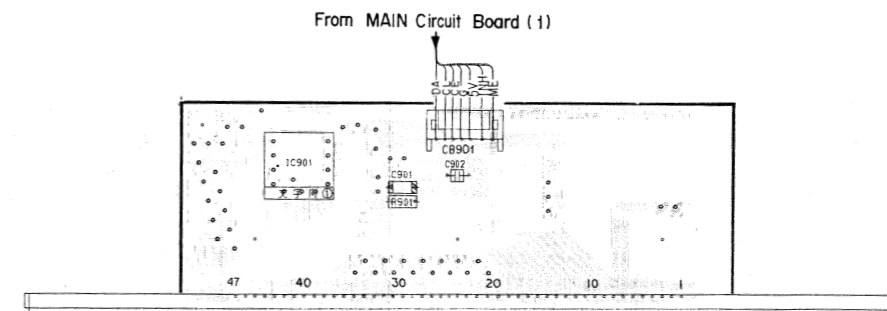
2

3

4

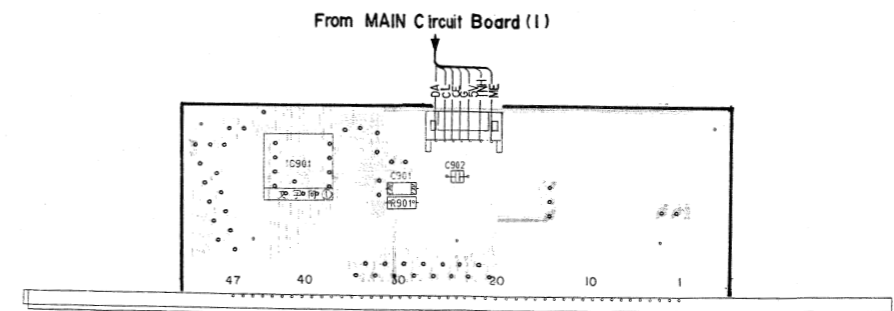


LCD DISPLAY Circuit Board (Pattern Side)

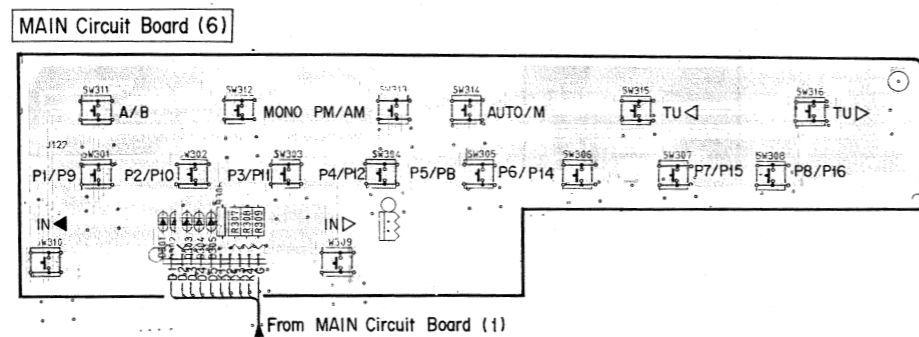


5

LCD DISPLAY Circuit Board (Parts Side)

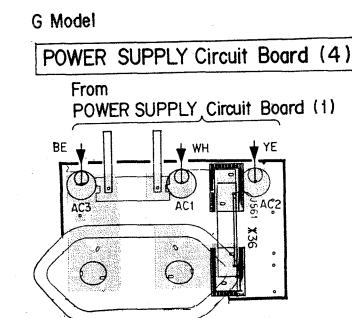
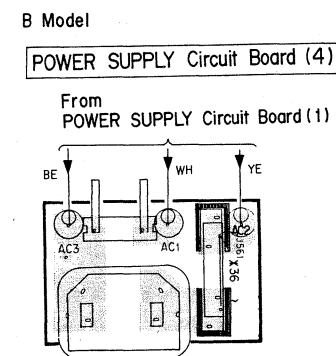
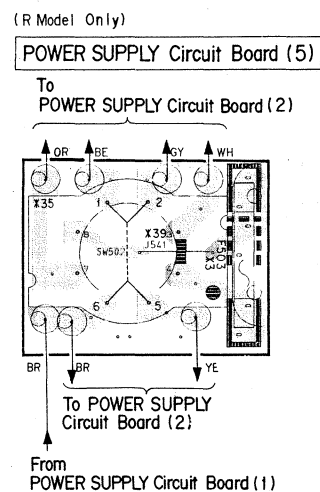
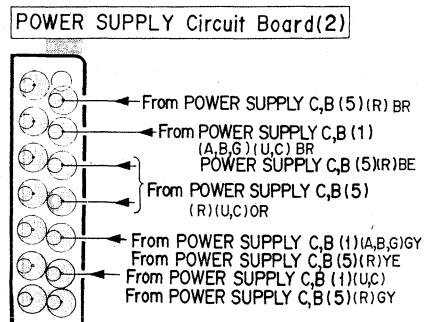
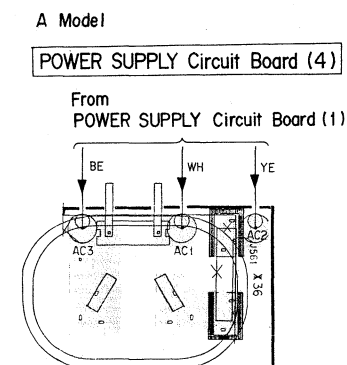
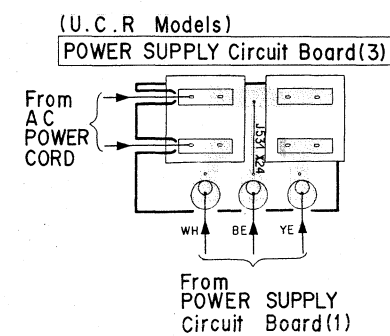
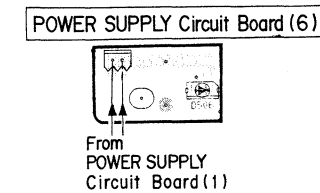
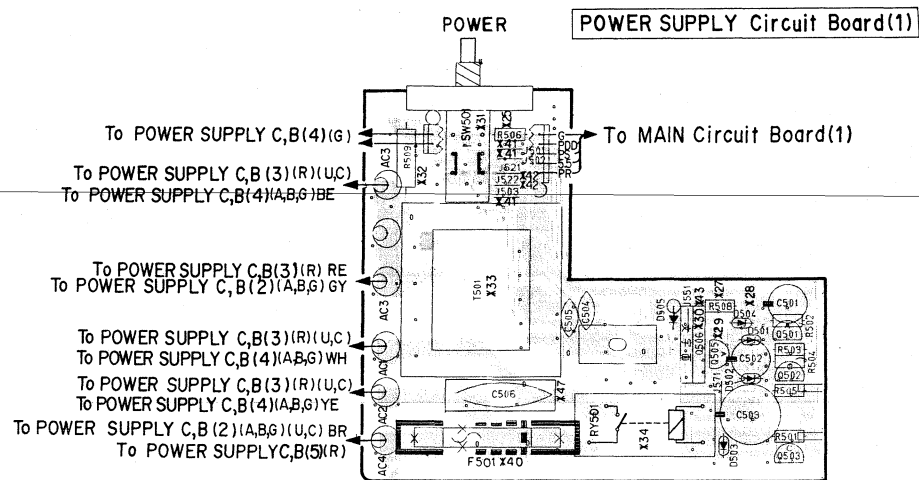


6

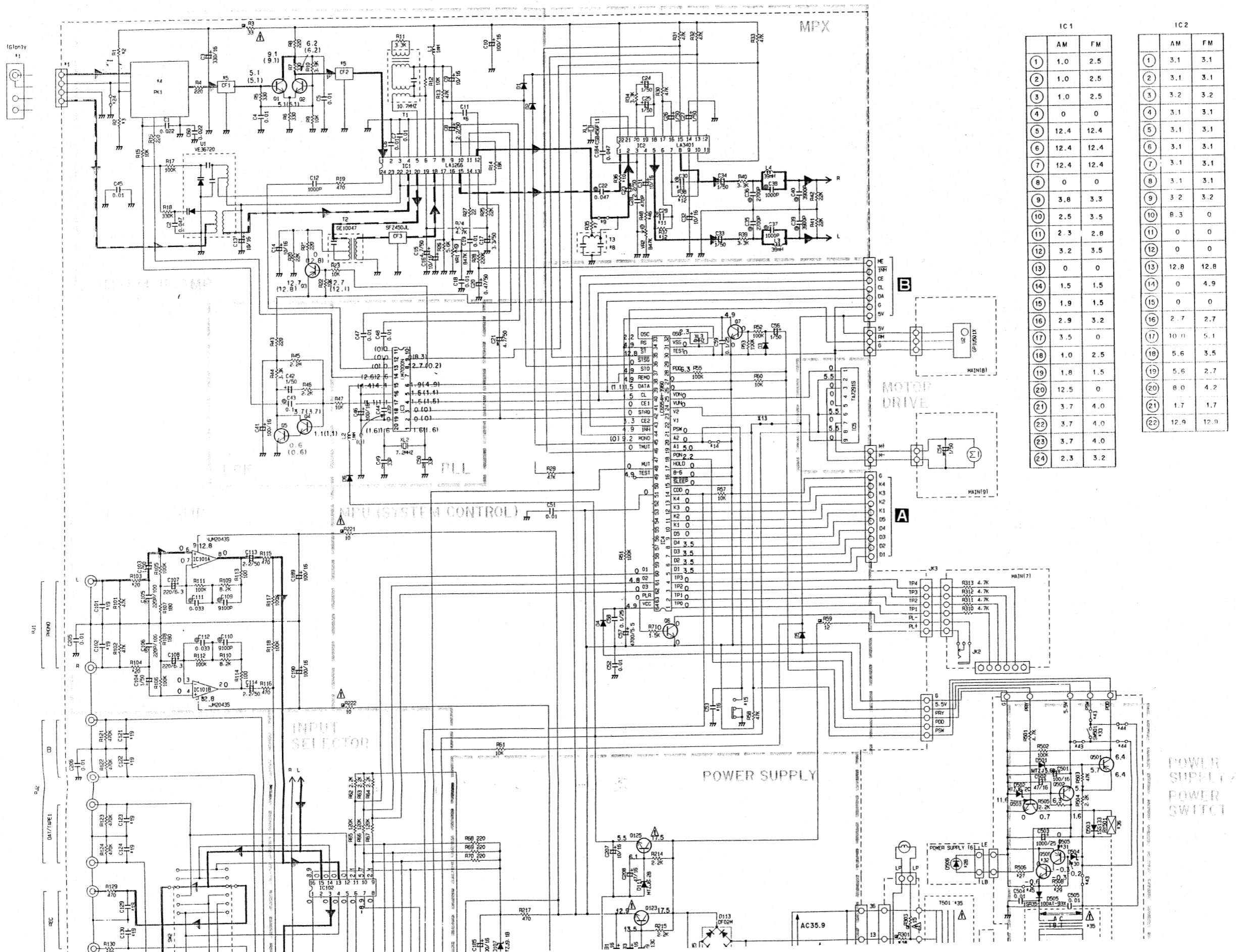


7

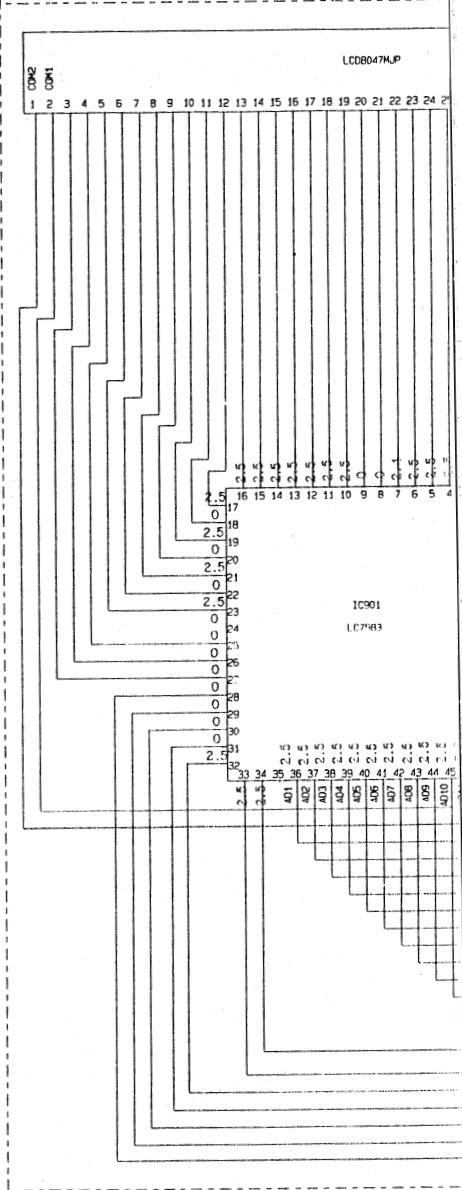
PRINTED CIRCUIT BOARD (Pattern Side)



SCHEMATIC DIAGRAM



IC1			IC2		
	AM	FM		AM	FM
1	1.0	2.5	1	3.1	3.1
2	1.0	2.5	2	3.1	3.1
3	1.0	2.5	3	3.2	3.2
4	0	0	4	3.1	3.1
5	12.4	12.4	5	3.1	3.1
6	12.4	12.4	6	3.1	3.1
7	12.4	12.4	7	3.1	3.1
8	0	0	8	3.1	3.1
9	3.8	3.3	9	3.2	3.2
10	2.5	3.5	10	8.3	0
11	2.3	2.8	11	0	0
12	3.2	3.5	12	0	0
13	0	0	13	12.8	12.8
14	1.5	1.5	14	0	4.9
15	1.9	1.5	15	0	0
16	2.9	3.2	16	2.7	2.7
17	3.5	0	17	10.0	5.1
18	1.0	2.5	18	5.6	3.5
19	1.8	1.5	19	5.6	2.7
20	12.5	0	20	8.0	4.2
21	3.7	4.0	21	1.7	1.7
22	3.7	4.0	22	12.9	12.9
23	3.7	4.0			
24	2.3	3.2			



MAIN	
03, 119, 127	2549335 (I, R) or 2541115 (E, F) or 2541310 (R, S, T)
0103, 104	2549701 (GR, BL)
0124	2585601 (E, F)
04, 5, 7, 117, 118, 120-122, 128	25F17405 (S, R) or 25C3312 (R, S, T) or 25C2603 (E, F)
01, 2	25C536 (A, B, C)
06, 101, 102	25C2878 (A, B)
0125	25D438 (E, F)
0107, 108	25C2240 (GR, BL)
0105, 106	25C2705 (I, Y)
0123	25D1913 (R, S, T)
0111, 112	25A1708 (R, S, T)
0109, 110	25C4488 (R, S, T)
0113, 114	25C3181 or 25C3305 (I, Y)
0115, 116	25A1264 or 25A1491 (I, Y)

POWER SUPPLY	
0501, 505	2549335 (I, R) or 2541115 (E, F) or 2541310 (R, S, T)
0503	25C2878 (A, B)
0502	25D438 (E, F)
0506	25C2577 (I, P, Y)

POWER SUPPLY
POWER SWITCH

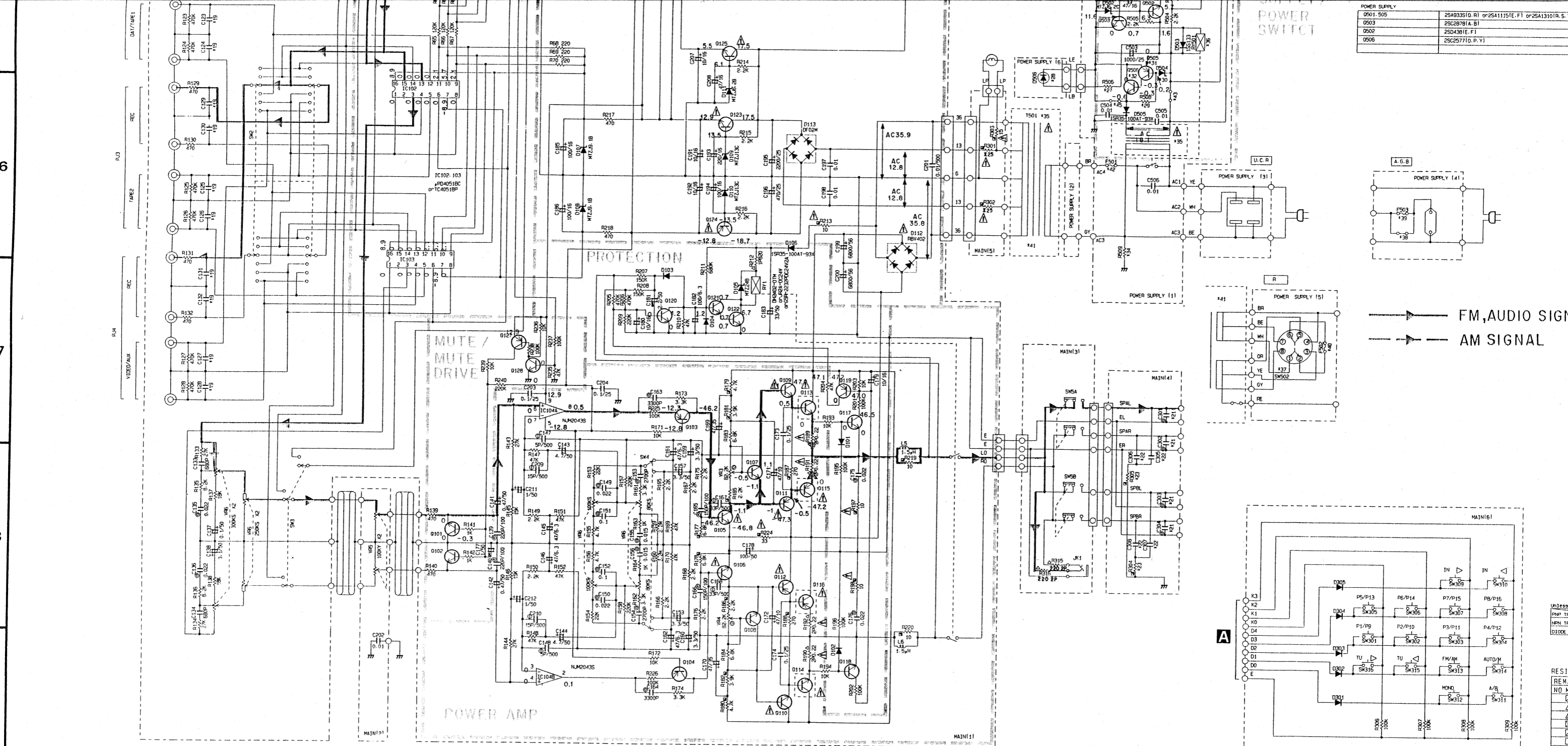
6

7

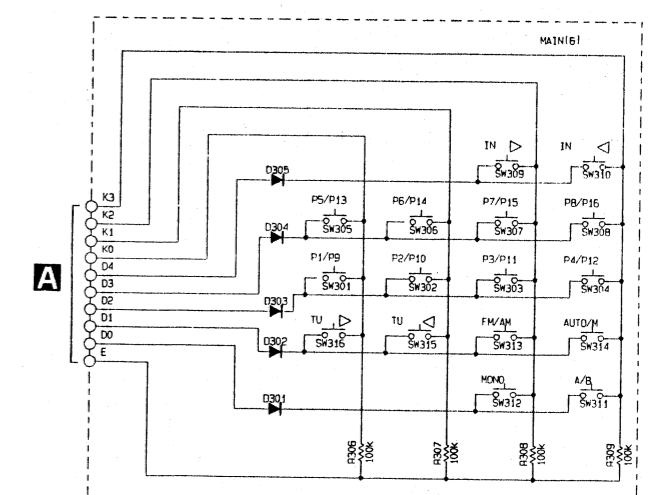
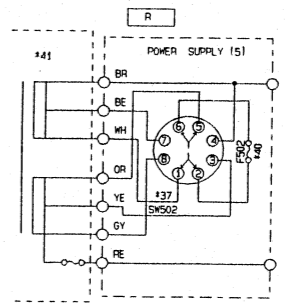
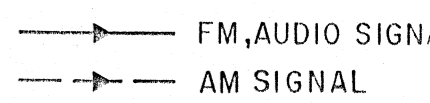
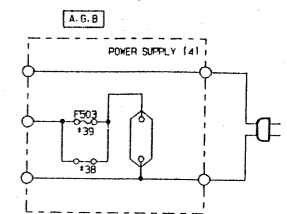
8

9

10



POWER SUPPLY	
0501, 505	2SA933S(Q, R) or 2SA1115(E, F) or 2SA1310(R, S, T)
0503	2SC2878(A, B)
0502	2SD438(E, F)
0506	2SC2577(O, P, Y)



■ PIN CONNECTION DIAGRAM OF TRANSISTORS, DIODE AND ICS.

2SA933S (Q, R) 2SA1115 (E, F) 2SA1310 (R, S, T) 2SA970 (GR, BL) 2SC2240 (GR, BL) 2SC1740S (S, R) 2SC3312 (R, S, T) 2SB560 (E, F)	2SC2603 (E, F) 2SC535 (A, B, C) 2SA1708 (R, S, T) 2SC4488 (R, S, T) 2SD438 (E, F)	2SC2577 (O, P, Y) 2SD1913 (R, S)	ISR35-100A ISS133 MTZJ6.2A MTZJ6.2B MTZJ6.2C MTZJ9.1B MTZJ13C MTZJ24B	SLR-34URC3H3 RBV-402	DF02M	NJM2043S TA7291S	LM7000N	LA3401	LA1266	LC6554H

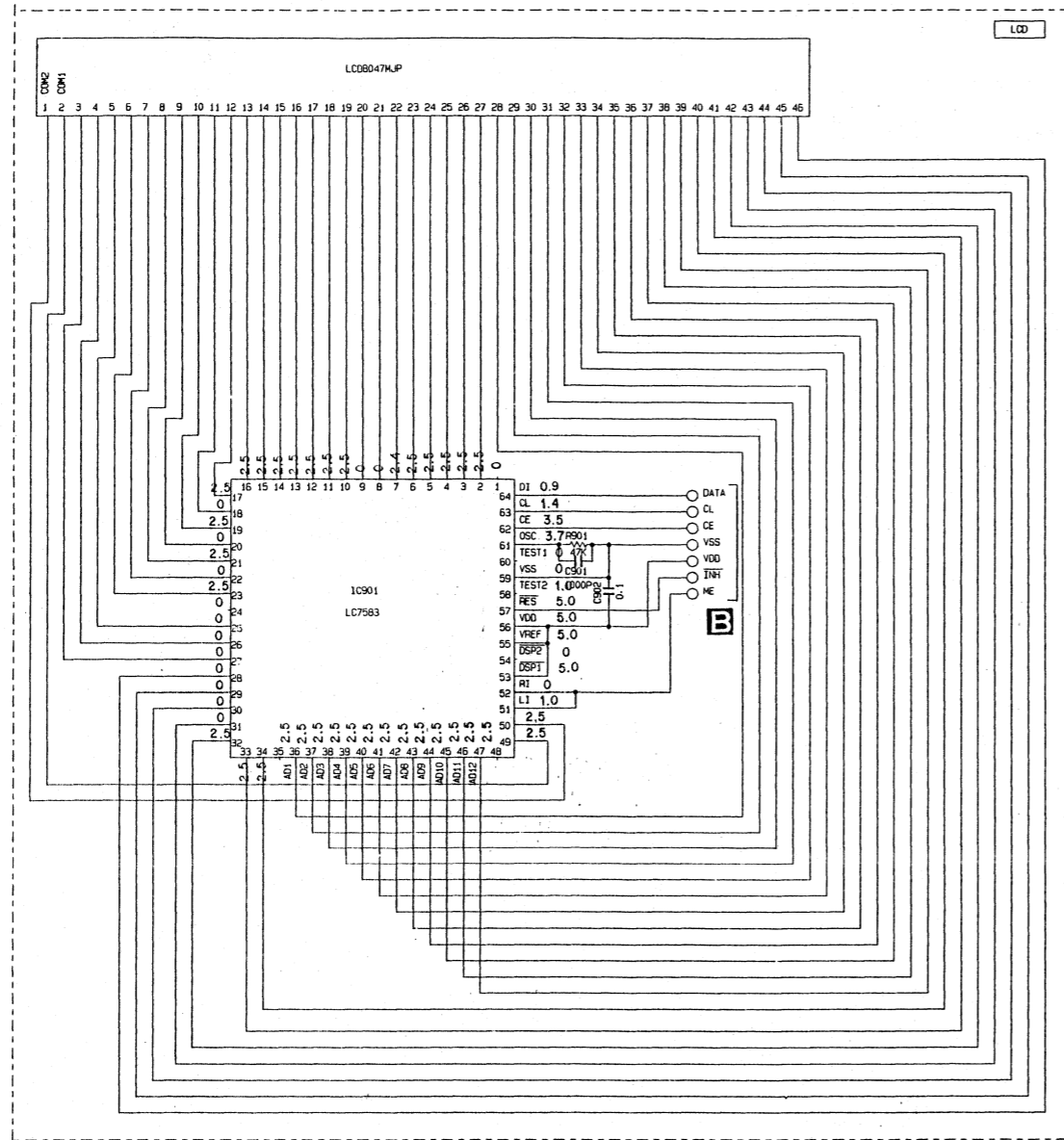
22

IC1

	AM	FM
1	1.0	2.5
2	1.0	2.5
3	1.0	2.5
4	0	0
5	12.4	12.4
6	12.4	12.4
7	12.4	12.4
8	0	0
9	3.8	3.3
10	2.5	3.5
11	2.3	2.8
12	3.2	3.5
13	0	0
14	1.5	1.5
15	1.9	1.5
16	2.9	3.2
17	3.5	0
18	1.0	2.5
19	1.8	1.5
20	12.5	0
21	3.7	4.0
22	3.7	4.0
23	3.7	4.0
24	2.3	3.2

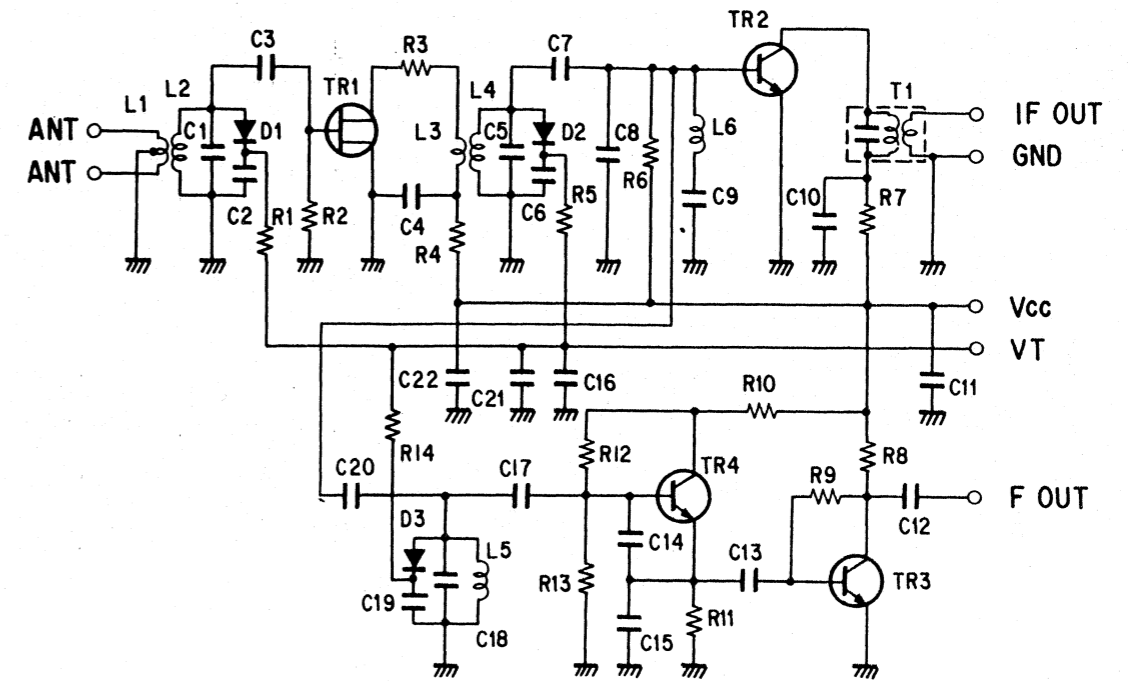
IC2

	AM	FM
1	3.1	3.1
2	3.1	3.1
3	3.2	3.2
4	3.1	3.1
5	3.1	3.1
6	3.1	3.1
7	3.1	3.1
8	3.1	3.1
9	3.2	3.2
10	8.3	0
11	0	0
12	0	0
13	12.8	12.8
14	0	4.9
15	0	0
16	2.7	2.7
17	10.0	5.1
18	5.6	3.5
19	5.6	2.7
20	8.0	4.2
21	1.7	1.7
22	12.9	12.9

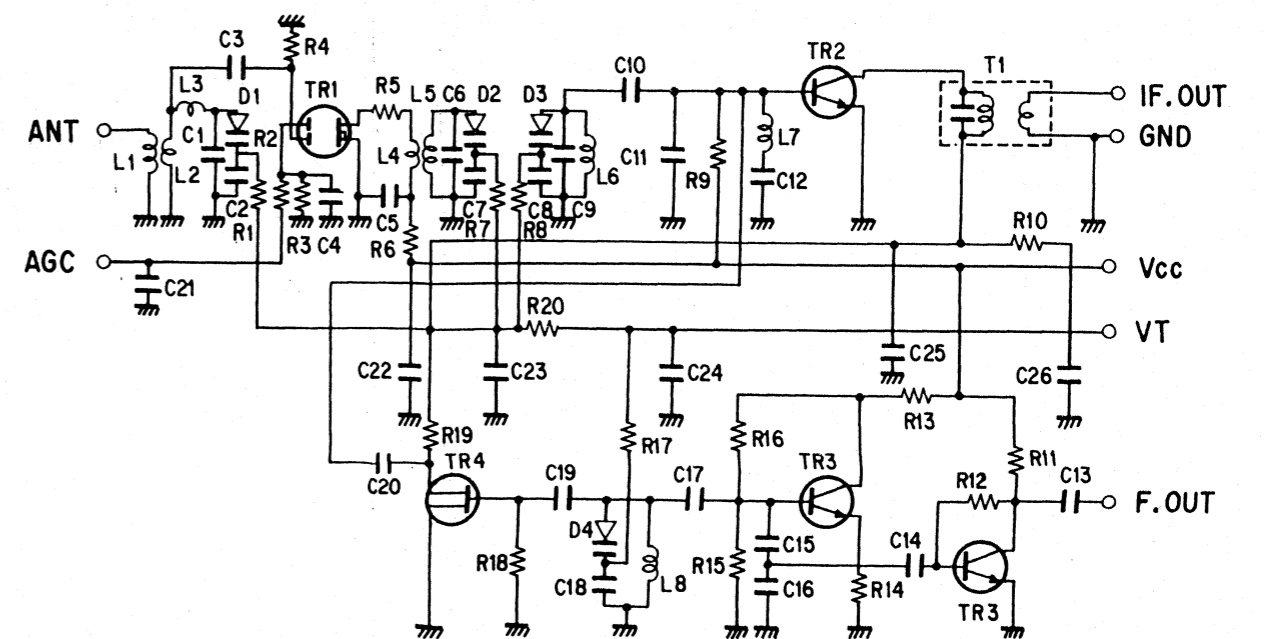


• FRONT END PACK (PK1)

R.U.C.A.B models



G model



MAIN

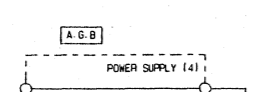
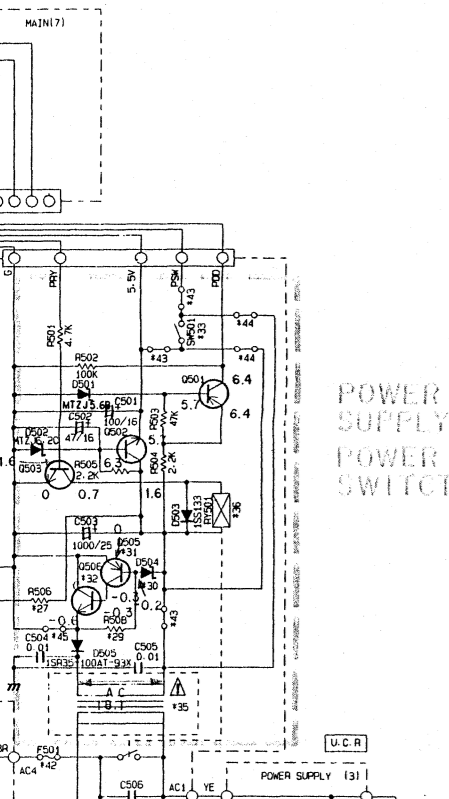
Q3 119-127	2S4933S(G, R) or 2S41115(E, F) or 2S41310(A, S, T)
Q103-104	2S4970(G, BL)
Q124	2S9560(E, F)
Q4 5, 7, 117, 118, 120-122, 128	2S17405(S, R) or 2S63312(A, S, T) or 2S62603(E, F)
Q1-2	2S6256(A, B, C)
Q6 101, 102	2S438(E, F)
Q107, 108	2S62870(A, B, L)
Q105, 106	2S62705(O, Y)
Q123	2S01913(R, S, T)
Q111-112	2S41708(A, S, T)
Q109, 110	2S64488(A, S, T)
Q113, 114	2S63181 or 2S63385(O, Y)
Q115, 116	2S41264 or 2S41491(O, Y)

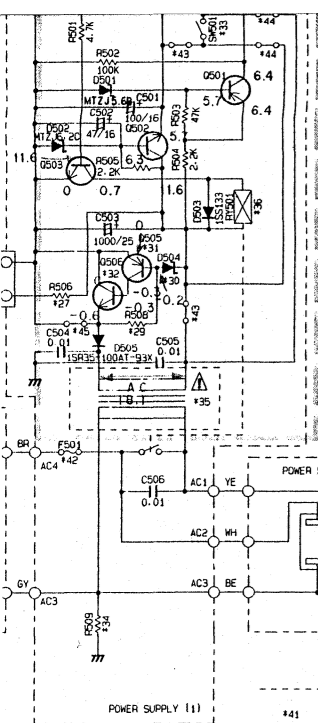
POWER SUPPLY

Q501, 505	2S4933S(G, R) or 2S41115(E, F) or 2S41310(A, S, T)
Q503	2S62870(A, B)
Q502	2S438(E, F)
Q506	2S62577(O, P, Y)

#	U.C	R	A	B	G
*1	ANT	VE36520			VE36500
*2	R1	OPEN			470K
*3	R2	OPEN			390K
*4	PK1	TF61U117A			TF63E1114A
*5	CF1-2	SFE10, 7MH+A			SFE10, 7MH30H+A
*6	C11	100P			OPEN
*7	R35	OPEN			4.7K
*8	T3	OPEN			GE20053
*9	J	SHORT			OPEN
*10	R36	10K			22K
*11	C29-30	1200P	750P/100		330P/100
*12	R37, 38	62K			120K
*13	J	OPEN	SHORT		
*14	J	OPEN	SHORT		
*15	SW1	OPEN	VA94530	OPEN	
*16	C53	OPEN	0.01	OPEN	
*17					
*18					
*19	C101-102 C121-132	OPEN			220P 1.8K
*20	R103-104	SHORT			
*21	C301-304	OPEN			4700P
*22	C305-308	OPEN			0.01

POWER SUPPLY / POWER SWITCH

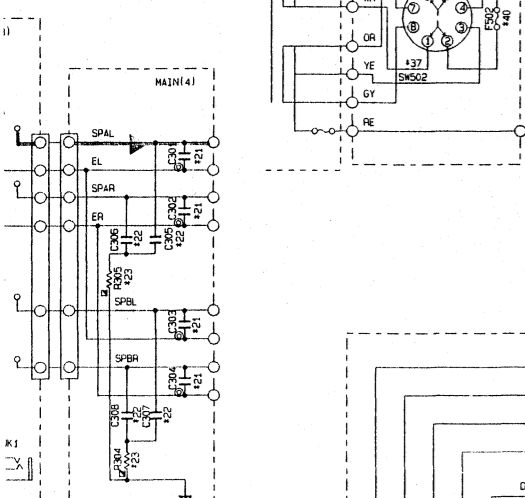
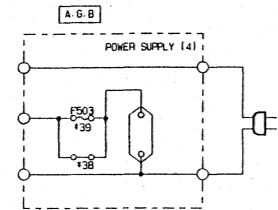
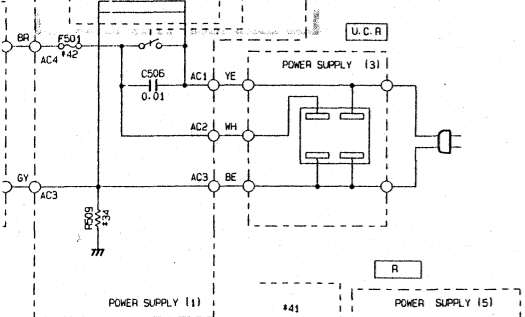




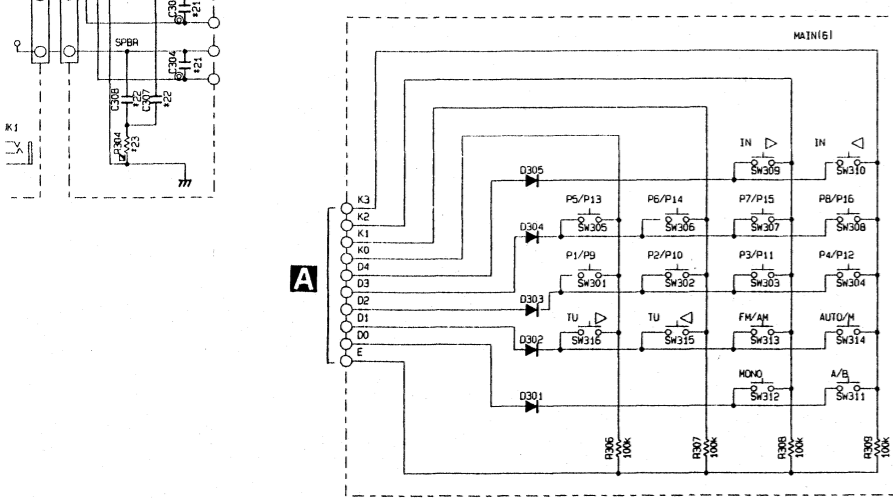
POWER SUPPLY / POWER SWITCH

0105-106	25C270510.Y1
0129	25D19131R.S1
0111-112	25A17081R.S.T1
0109-110	25C4881R.S.T1
0113-114	25C3381 or 25C338510.Y1
0115-116	25A1264 or 25A149110.Y1

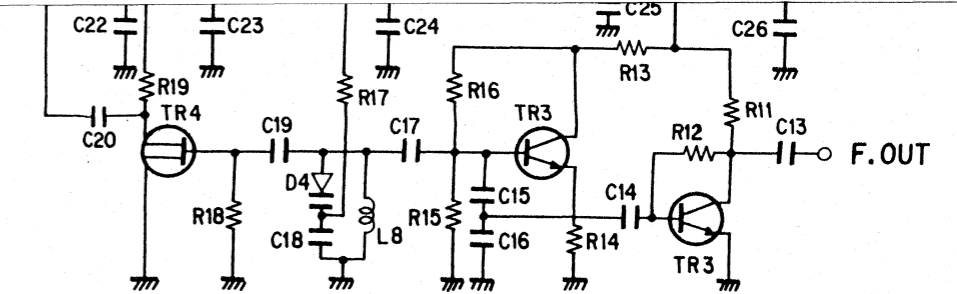
POWER SUPPLY	
0501-505	25A933510.R1 or 25A11151E.F1 or 25A13101R.S.T1
0503	25C28781A.B1
0502	25D4381E.F1
0506	25C25710.P.Y1



FM, AUDIO SIGNAL
AM SIGNAL



45	CF 1-2	SFE10-78941-A	SFE10-786381Y-A
46	C11	100P	OPEN
47	R35	OPEN	4.7K
48	T3	OPEN	GE20053
49	J	SHORT	OPEN
50	R36	10K	22K
51	C29-30	1200P	750P/100
52	R37-38	62K	120K
53	J	OPEN	SHORT
54	J	OPEN	SHORT
55	SW1	OPEN	V494530 OPEN
56	C53	OPEN	0.01 OPEN
57	R505	OPEN	2.2K
58	D506	OPEN	SLR-34URC13
59	R508	OPEN	10K OPEN
60	D504	OPEN	MT2J13C OPEN
61	D505	OPEN	25A9335 25A1115 25A1310 OPEN
62	D506	OPEN	25C2577 OPEN
63	SW501	KAB0405	KAB0447
64	R509	2.2M 1/2W	OPEN
65	T501	XC083	XC082 XC084
66	RV501	VE99920 or VFE7810	V010730 or VE36990
67	SW502	OPEN	V496180 OPEN
68	OPEN	OPEN	SHORT OPEN
69	F503	OPEN	T2-5/250V
70	F502	OPEN	T2-0/250V OPEN
71	F501	4A/250V	T4A250V T1-6A250V
72	J	SHORT	OPEN
73	J	OPEN	SHORT
74	J	SHORT	OPEN
75	J	SHORT	OPEN
76	R48	22K	4.7K



Unless otherwise specified
SMP TRANSISTOR
MPN TRANSISTOR
G100K 1SS133

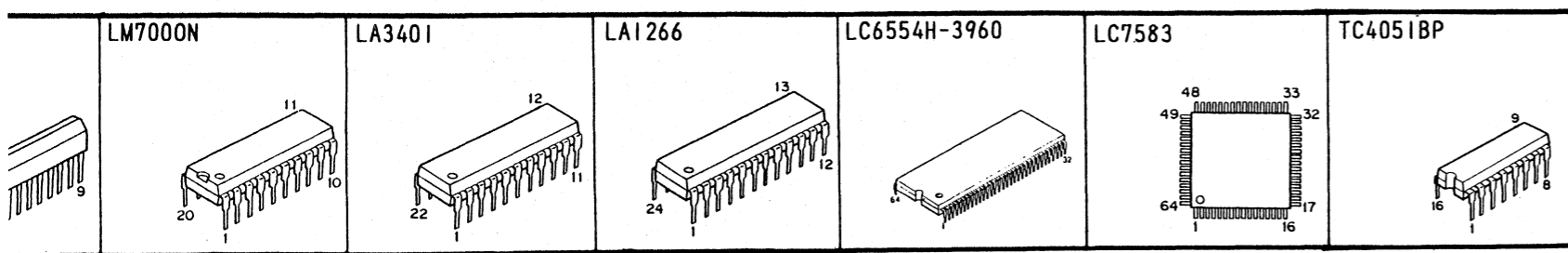
REMARKS	PARTS NAME
NO MARK	CARBON FILM RESISTOR (1/6W)
□	CARBON FILM RESISTOR
△	METAL OXIDE FILM RESISTOR
▲	METAL FILM RESISTOR
■	METAL PLATE RESISTOR
⊠	FIRE PROOF CARBON FILM RESISTOR
⊞	CEMENT MOLDED RESISTOR
⊚	SEMI VARIABLE RESISTOR
⊛	CHIP RESISTOR

NOTICE
(J)..... Japanese model
(U)..... U.S.A model
(C)..... Canadian model
(A)..... Australian model
(G)..... European model
(B)..... British model
(R)..... General model
(P)..... RP model

REMARKS	PARTS NAME
NO MARK	ELECTROLYTIC CAPACITOR
NO MARK	CERAMIC CAPACITOR
⊙	POLYESTER FILM CAPACITOR
○	POLYSTYRENE FILM CAPACITOR
⊖	MICA CAPACITOR
⊕	POLYPROPYLENE FILM CAPACITOR
⊗	SEMICONDUCTIVE CERAMIC CAPACITOR

LAST NO.	LN LISTED NO.
C	902
R	901
D	506
G	506


SCHEMATIC DIAGRAM
MODEL RX-530
KEC-



PARTS LIST

ELECTRICAL PARTS

■ WARNING

- Components having special characteristics are marked  and must be replaced with parts having specifications equal to those originally installed.
- Carbon resistors 1/6 W are not included in the ELECTRICAL PARTS list. For the parts No. of the carbon resistor, refer to the last Page.

Ref. No.	Part No.	Description	部品名		Remarks	Common Model	Markets	ランク
※	VG 78 62 00	LCD Circuit Board			L C D 表示シート			
	VF 46 70 00	Ceramic Cap.	1000pF	50V	円筒型セラコン	C901		
	VH 05 31 00	//	0.1μF	50V	//	C902		
	XB 76 40 01	IC	LC7583		I C	IC901		
	VB 85 86 00	Base Pin, PH	7P L-Type		PH ベースピン	CB901		
※	VF 94 86 00	LCD	LCD8047MJP		L C D 表示器			
※	VG 49 10 00	Main Circuit Board			メインシート		U, C	
※	VG 49 11 00	//			//		R	
※	VG 49 12 00	//			//		A, B	
※	VG 49 14 00	//			//		G	
	VA 76 12 00	Ceramic Cap.	33pF	50V	セラコン	C49, 50		
	FH 23 41 00	//	0.01μF	500V	//	C201		
	FG 21 14 70	//	47pF	50V	//	C44		
	FG 21 21 00	//	100pF	50V	//	C11	U, C, R, A, B	
	FG 21 22 20	//	220pF	50V	//	C101, 102, 121~132	G	
	FG 21 24 70	//	470pF	50V	//	C28		
	FG 21 26 80	//	680pF	50V	//	C133, 134		
	FG 21 31 00	//	1000pF	50V	//	C12		
	FG 24 41 00	//	0.01μF	50V	//	C4~7, 18, 19, 45, 47, 48, 51, 52, 197, 198, 202, 205, 206		
	FG 24 41 00	//	0.01μF	50V	//	C53	R	
	FG 24 42 20	//	0.022μF	50V	//	C1, 60		
	FG 24 44 70	//	0.047μF	50V	//	C2, 184		
	FZ 00 58 80	//	0.1μF	25V	積層セラコン	C58, 59, 173, 174, 203, 204		
	FU 35 05 00	Mica Cap.	5pF	500V	FE マイカコン	C147, 148		
	FU 35 11 50	//	15pF	500V	//	C209, 210		
	FU 35 13 30	//	33pF	500V	//	C167, 168		
	FA 15 31 00	Mylar Cap.	1000pF	50V	マイラーコン	C37, 38		
	FA 15 32 70	//	2700pF	50V	//	C35, 36, 153, 154		
	FA 15 33 30	//	3300pF	50V	//	C163, 164		
	FA 15 33 90	//	3900pF	50V	//	C39, 40		
	FA 15 34 70	//	4700pF	50V	//	C301~304	G	
	FA 15 39 10	//	9100pF	50V	//	C109, 110		
	FA 15 41 00	//	0.01μF	50V	//	C305~308		
	FA 15 41 50	//	0.015μF	50V	//	C155, 156		
	FA 15 42 20	//	0.022μF	50V	//	C135, 136, 149, 150, 175, 176		
	FA 15 43 30	//	0.033μF	50V	//	C111, 112		
	FA 15 44 70	//	0.047μF	50V	//	C22		
	FA 15 51 00	//	0.1μF	50V	//	C43, 151, 152		
	FM 11 61 00	Electrolytic Cap.	1μF	50V	B P コン	C177		
	FM 11 62 20	//	2.2μF	50V	//	C54, 181		
	UK 16 64 70	//	4.7μF	50V	//	C21		
	UJ 11 74 70	//	47μF	6.3V	ケミコン	C145, 146, 161, 162		
	UJ 11 81 00	//	100μF	6.3V	//	C182		
	UJ 11 82 20	//	220μF	6.3V	//	C107, 108		
	UJ 12 74 70	//	47μF	10V	//	C171, 172		
	UJ 13 71 00	//	10μF	16V	//	C9, 13, 14, 16, 31, 32, 179, 180, 191, 192, 207		
	UJ 13 74 70	//	47μF	16V	//	C208		
	UJ 13 81 00	//	100μF	16V	//	C10, 41, 46, 185, 186, 189, 190, 194		

※New Parts(新規部品)

Ref. No.	Part No.	Description	部 品 名	Remarks	Common Model	Markets	ランク
	UJ 13 82 20	Electrolytic Cap.	220 μ F 16V	ケ ミ コ ン	C193		
	UJ 13 83 30	//	330 μ F 16V	//	C3		
	UJ 15 74 70	//	47 μ F 35V	//	C169, 170		
	UJ 16 54 70	//	0.47 μ F 50V	//	C20, 141, 142		
	UJ 16 61 00	//	1 μ F 50V	//	C24~27, 33, 34, 56, 103 104, 211, 212		
	UJ 16 62 20	//	2.2 μ F 50V	//	C8, 23, 113, 114		
	UJ 46 63 30	//	3.3 μ F 50V	//	C17, 157~160		
※	UJ 16 64 70	//	4.7 μ F 50V	//	C15, 143, 144		
	UH 06 73 30	//	33 μ F 50V	//	C183		
	UJ 14 84 70	//	470 μ F 25V	//	C196		
	UJ 14 92 20	//	2200 μ F 25V	//	C195		
	UJ 16 81 00	//	100 μ F 50V	//	C178		
	UT 45 21 50	Polypropylene Film Cap.	150pF 100V	ポ リ プ ロ コ ン	C165, 166		
	UT 45 22 20	//	220pF 100V	//	C105, 106, 139, 140		
	FA 15 31 20	Mylar Cap.	1200pF 50V	マ イ ラ ー コ ン	C29, 30	U, C, R	
	UT 45 23 90	Polypropylene Film Cap.	390pF 100V	ポ リ プ ロ コ ン	C29, 30	G	
	UT 45 27 50	//	750 pF 100V	//	C29, 30	A, B	
	UL 46 61 00	Electrolytic Cap.	1 μ F 50V	ロ ー ノ イ ズ ケ ミ コ ン	C42		
	UJ 16 51 00	//	0.1 μ F 50V	ケ ミ コ ン	C137, 138		
	VB 17 01 00	//	4700 μ F 5.5V	バ ッ ク ア ッ プ ケ ミ コ ン	C57	Inter-changeable	
	VC 61 37 00	//	4700 μ F 5.5V	//	C57		
※	VG 86 03 00	//	6800 μ F 55V	ブ ロ ッ ク ケ ミ コ ン	C199, 200		
	GE 90 18 50	Inductor	39mH	固 定 イ ン ダ ク タ ー	L3, 4		
	VC 36 20 00	Coil	1mH	固 定 コ イ ル	L1, 2		
	VC 79 37 00	//	1.5 μ H	空 心 コ イ ル	L5, 6		
	VC 21 86 00	Discr. Coil, FM	10.7MHz	F M 検 波 コ イ ル	T1		
	GE 20 05 30	Anti-Birdie Coil		ア ン チ バ ー デ ィ コ イ ル	T3	G	
	GE 10 04 70	AM IFT Coil	450KHz	A M I F T コ イ ル	T2		
	VE 36 72 00	AM Coil Pack		A M コ イ ル パ ッ ク	U1		
	VC 21 90 00	AM Ceramic Filter	SFZ450JL	A M セ ラ ミ ッ ク フ ィ ル タ ー	CF3		
	GG 00 06 70	FM Ceramic Filter	SFE10.7MMH-A	F M セ ラ ミ ッ ク フ ィ ル タ ー	CF1, 2	U, C, R, A, B	
	GG 00 05 60	//	SFE10.7MS3GHY-A	//	//	G	
	GG 00 07 50	Ceramic Resonator	CSB456F11	セ ラ ミ ッ ク 振 動 子	XL1		
	VD 82 76 00	//	4MHz	//	XL3		
	VC 21 91 00	Quartz Crystal	7.2MHz	水 晶 振 動 子	XL2	Inter-changeable	
	QU 00 38 00	//	7.2MHz	//	//		
	HV 45 31 00	Frame Proof Carbon Resistor	1 Ω 1/4W	不 燃 化 カ ー ボ ン 抵 抗	R301, 302	U, C, R, A, B	▲
	HV 45 34 70	//	4.7 Ω 1/4W	//	R304, 305		
	HV 45 41 00	//	10 Ω 1/4W	//	R197, 198, 213, 219~222		▲
	HV 45 41 20	//	12 Ω 1/4W	//	R59		▲
	HV 45 41 50	//	15 Ω 1/4W	//	R303		▲
	HV 45 43 30	//	33 Ω 1/4W	//	R3, 224		▲
	HV 45 52 70	//	270 Ω 1/4W	//	R187, 188		
	HV 45 62 20	//	2.2K Ω 1/4W	//	R185, 186		
	HV 45 63 90	//	3.9K Ω 1/4W	//	R181, 182		
	HV 45 64 70	//	4.7K Ω 1/4W	//	R179, 180		
	HV 45 66 80	//	6.8K Ω 1/4W	//	R177, 178		
※	VH 29 34 00	Metal Film Resistor	2.2 Ω 1/6W	金 属 披 膜 抵 抗	R317, 318	G	
	HL 31 52 20	Metal Oxide Film Resistor	220 Ω 1W	酸 金 抵 抗	R315, 316		

※ New Parts (新規部品)

Ref. No.	Part No.	Description	部 品 名	Remarks	Common Model	Markets	ランク	
	HL 31 58 20	Metal Oxide Film Resistor	820 Ω 1W	酸 金 抵 抗	R212			
	HL 32 22 20	//	0.22 Ω 2W	//	R189~192			
	VB 86 12 00	Pre-set Potentiometer	B2.2K Ω	半 固 定 抵 抗	VR3,4	Inter-changeable		
	VB 86 29 00	//	B2.2K Ω	//	//			
	VB 86 18 00	//	B47K Ω	//	VR1,2			
	HS 41 25 30	Potentiometer	特80K Ω、特100K Ω×2 特250K Ω×2、特300K Ω	可 変 抵 抗	VR6			
※	VG 80 73 00	Potentiomer with Motor	Y100K Ω×2	モーター付可変抵抗	VR5			
	iF 00 34 50	Diode	1SS133	ダイオード	D1~6,101~104,301~305			
	iF 00 84 80	//	1SR35-100A	//	D106			
※	VG 43 80 00	Zener Diode	MTZJ6.2B	ツェナーダイオード	D111			
※	VG 43 92 00	//	MTZ9.1B	//	D107,108			
※	VG 44 06 00	//	MTZJ13C	//	D109,110			
※	VG 44 25 00	//	MTZJ24B	//	D105			
	VC 97 15 00	Diode,Bridge	RBV-402	ダイオードブリッジ	D112			
	VE 36 79 00	//	DF02M	//	D113			
	iA 09 33 70	Transistor	2SA933S(Q,R)	トランジスター	Q3,119,127	Inter-changeable		
	iA 11 15 10	//	2SA1115(E,F)	//	//			
	iA 13 10 00	//	2SA1310(R,S,T)	//	//			
	iA 09 70 00	//	2SA970(GR,BL)	//	Q103,104			
	iB 05 60 10	//	2SB560(E,F)	//	Q124			
	iC 17 40 70	//	2SC1740S(S,R)	//	Q4,5,7,117,118, 120~122,128	Inter-changeable		
	iC 33 12 00	//	2SC3312(R,S,T)	//			//	
	iC 26 03 20	//	2SC2603(E,F)	//			//	
	iC 05 35 40	//	2SC535(A,B,C)	//	Q1,2			
	iC 28 78 20	//	2SC2878(A,B)	//	Q6,101,102			
	iD 04 38 10	//	2SD438(E,F)	//	Q125			
	iC 22 40 00	//	2SC2240(GR,BL)	//	Q107,108			
	iC 27 05 00	//	2SC2705 (O,Y)	//	Q105,106			
	VC 40 79 00	//	2SD1913(R,S)	//	Q123			
	iX 61 35 00	//	2SA1708(R,S,T)	//	Q111,112			
	iX 61 35 10	//	2SC4488(R,S,T)	//	Q109,110			
	iG 00 17 70	IC	TC4051BP	I C	IC102,103			
	iG 15 81 00	//	LA3401	//	IC2			
	iG 08 02 00	//	NJM2043S	//	IC101,104			
	XB 76 00 01	//	LA1266	//	IC1			
	XB 81 80 01	//	LM7000 N	//	IC3			
※	XF 36 9B 00	//	LC6554H-3960	//	IC4			
※	XF 55 7A 00	//	TA7291S	//	IC5			
	KA 90 69 10	Switch,Remote	4-6NS	リモートスイッチ	SW2			
	VA 94 53 00	Switch,Slide	2-2NS	スライドスイッチ	SW1	R		
※	VG 60 42 00	Switch	2-2S	ス イ ッ チ	SW4			
※	VG 60 44 00	//	4-2NS	//	SW3			
※	VG 60 40 00	//	2-2 2連	//	SW5			
	VE 32 73 00	//	KHH-MA901	タクトスイッチ	SW301~316			
	KC 00 19 40	Relay	DH24D2-OTM	リ レ ー	RY1	Inter-changeable		
	KC 00 20 00	//	JR2A-DC24V	//	//			
	VC 27 86 00	//	G5R-2232PDC24V2A	//	//			

※New Parts (新規部品)

Ref. No.	Part No.				Description	部 品 名			Remarks	Common Model	Markets	ランク	
	LB	10	07	30	Mini Jack			ミニジャック	JK2				
	LB	30	17	20	Phone Jack			ホーンジャック	JK1				
	LB	20	22	90	Pin Jack		2P	ピンジャック	PJ1				
	LB	40	10	30	//		4P	//	PJ2~4				
	VF	92	65	00	Remote Control Receptor Unit	GPIU501X		リモコン受光ユニット	U2				
	VC	21	93	00	FM Front-end Pack	TFFGIU117A		フロントエンドバック	PK1		U,C,R,A,B		
	VC	21	94	00	//	TFFG3E114A		//	PK1		G		
	LB	60	83	90	ST Connector Socket		6P	STコネクターソケット	JK3				
	VD	00	48	00	Base Pin,PH		5P	i-Type P H ベースピン	CB1				
	VD	00	53	00	//		10p	i-Type //	CB2				
	VB	85	81	00	//		2p	L-Type //	CB3				
	VG	74	17	00	Speaker Terminal		8p	スピーカターミナル			U,C,R,A,B		
	VG	74	16	00	//		8p	//			G		
	VE	36	52	00	Antenna Terminal		4p	アンテナターミナル			U,C,R,A,B		
	VE	36	50	00	//		4p	//			G		
	BB	06	95	10	Ground Metal			ランド金具					
	EK	33	60	10	BW Head Tapping Screw	3×8 FCM3-BL		BWヘッドタッピングネジ	2種				
	BB	07	13	60	Screw Terminal			ネジ端子		AX-400			
※	VG	49	24	00	Power Supply Circuit Board			電源シート			U,C		
※	VG	49	25	00	//			//			R		
※	VG	49	26	00	//			//			A,B		
※	VG	49	28	00	//			//			G		
	FG	24	41	00	Ceramic Cap.	0.01uF 50V		セラコン	C504,505				
	Fi	38	41	00	//	0.01uF VA-I		//	C506		G		
	Fi	41	41	00	//	0.01uF VA-I		//	//		U,C,R,A,B		
	UJ	13	74	70	Electrolytic Cap.	47uF 16V		ケミコン	C502				
	UJ	13	81	00	//	100uF 16V		//	C501				
	UH	14	91	00	//	1000uF 25V		//	C503				
	HG	30	92	20	Carbon Film Resistor	2.2MΩ 1/2W		カーボン抵抗	R509		U,C		
	iA	09	33	70	Transistor	2SA933S(Q,R)		トランジスター	Q501	Inter-changeable			
	iA	11	15	10	//	2SA1115(E,F)		//	//				
	iA	13	10	00	//	2SA1310(R,S,T)		//	//				
	iA	09	33	70	//	2SA933S(Q,R)		//	Q505	Inter-changeable	R		
	iA	11	15	10	//	2SA1115(E,F)		//	//			R	
	iA	13	10	00	//	2SA1310(R,S,T)		//	//			R	
	iC	28	78	20	//	2SC2878(A,B)		//	Q503				
	iD	04	38	10	//	2SD438 (E,F)		//	Q502				
	iC	25	77	00	//	2SC2577(O,P,Y)		//	Q506		R		
	iF	00	84	80	Diode	ISR35-100A		ダイオード	D505				
	iF	00	34	50	//	ISS133		//	D503				
※	VG	43	81	00	Zener Diode	MTZJ6.2C		ツェナーダイオード	D502				
	VG	43	77	00	//	MTZJ5.6B		//	D501				
※	VG	44	06	00	Zener Diode	MTZJ13C		ツェナーダイオード	D504		R		
	iF	00	87	30	LED	SLR-34URC3H3		L E D	D506		G		

※New Parts (新規部品)

A

B

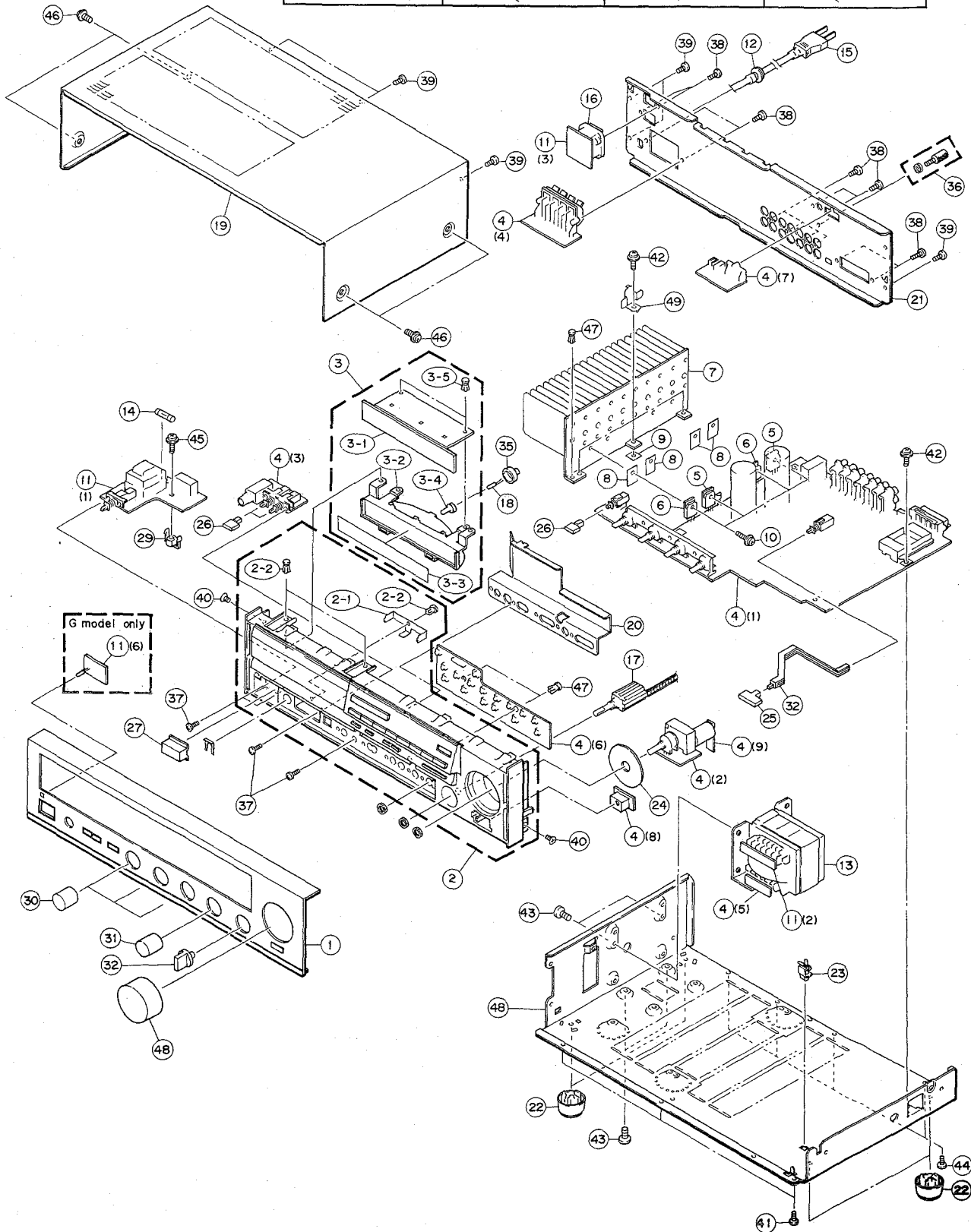
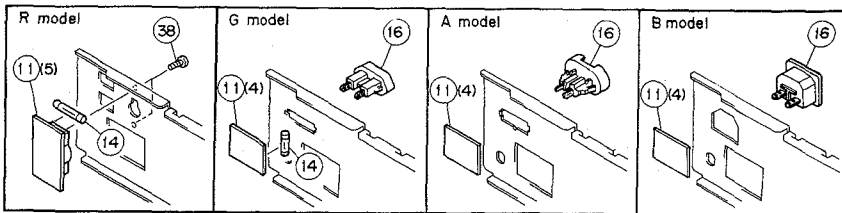
C

D

E

RX-530/AVR-55

EXPLODED VIEW



EXPLODED VIEW PARTS

Ref. No.	Part No.	Description	部 品 名	Remarks	Common Model	Markets	ランク
※	1	VG 48 96 00	Front Panel Unit	フロントパネルユニット	Black	U,C,A,B	
※	//	VG 48 97 00	//	//	//	R	
※	//	VG 48 98 00	//	//	//	G	
※	//	VG 49 00 00	//	//	Silver	U,C,A,B	
※	//	VG 49 01 00	//	//	//	R	
※	//	VG 49 03 00	//	//	//	G	
※	2	VG 49 05 00	Sub Chassis Unit	サブシャーシユニット	Black		
※	//	VG 49 06 00	//	//	Silver		
※	2-1	VH 08 37 00	Ground Plate	アースプレート			
※	2-2	CB 60 56 20	Plastic Rivet	プラスチックリベット			
※	3	VG 49 08 00	LCD Unit	L C D ユ ニ ッ ト			
※	3-1	VG 78 62 00	LCD Circuit Board	L C D 表 示 シ ー ト			
※	3-2	VG 43 31 00	Reflector,LCD	リフレクター・LCD		RX-330	
※	3-3	VG 43 33 00	Sheet,LCD	シ ー ト ・ L C D			
※	3-4	VF 44 45 00	Lamp Cap	ランプキャップ		TX-2000	
※	3-5	CB 60 56 20	Plastic Rivet	プラスチックリベット			
※	4	VG 49 10 00	Main Circuit Board	メ イン シ ー ト		U,C	
※	//	VG 49 11 00	//	//		R	
※	//	VG 49 12 00	//	//		A,B	
※	//	VG 49 14 00	//	//		G	
※	5	i X 60 35 60	Transistor	2SA1264	ト ラ ン ジ ス タ ー	Q115,116	
※	//	i X 60 97 30	//	2SA1491(O,Y)	//	Inter-changeable	
※	6	i X 60 35 70	//	2SC3181	//	Q113,114	
※	//	i X 60 97 40	//	2SC3385(O,Y)	//	Inter-changeable	
※	7	VG 43 28 00	Radiator	ラ ジ エ ー タ			
※	8	VG 42 89 00	Sheet	19×21	放 熱 シ ー ト	RX-330	
※	9	VH 08 35 00	Sheet		シ ー ト		
※	10	EZ 00 13 50	Cup Tight Screw	3×14 FCRM3-BI	カ ッ プ B タ イ ト ネ ジ		
※	11	VG 49 24 00	Power Supply Circuit Board		電 源 シ ー ト	U,C	
※	//	VG 49 25 00	//		//	R	
※	//	VG 49 26 00	//		//	A,B	
※	//	VG 49 28 00	//		//	G	
※	12	CB 62 01 90	Cord Stopper	CM-22B	コ ー ド ス ト ッ パ ー	R,A,B,G	
※	//	CB 62 02 00	//	CM-22C	//	U,C	
※	13	XF 73 1A 00	Power Transformer		電 源 ト ラ ン ス	U	
※	//	XF 73 2A 00	//		//	C	
※	//	XF 73 3A 00	//		//	R	
※	//	XF 73 4A 00	//		//	A,B	
※	//	XF 73 5A 00	//		//	G	
※	14	KB 00 03 80	Fuse	T4.0A 250V	ヒ ュ ー ズ タ イ ラ ッ シ ュ	R	
※	//	KB 00 07 40	//	T1,6A 250V	ヒ ュ ー ズ タ イ ム ラ グ	A,B,G	
※	//	KB 00 25 70	//	4.0A 250V UL	ヒ ュ ー ズ	U,C	
※	//	KB 00 03 50	//	T2.0A 250V	ヒ ュ ー ズ タ イ ラ ッ シ ュ	R	
※	//	KB 00 29 80	//	T2.5A 250V	ヒ ュ ー ズ タ イ ム ラ グ	G	
※	15	MG 00 22 20	AC Power Cord	10A 125V	A C 電 源 コ ー ド	U,C	
※	//	MG 00 16 30	//	6A 250V	//	R	
※	//	MG 00 23 10	//	7.5A 250V	//	A	
※	//	MG 00 23 30	//	300/300V	//	B	
※	//	MG 00 23 20	//	2.5A 250V	//	G	
※	16	VC 62 61 00	AC Outlet	2P	A C ア ウ ト レ ッ ト	A	
※	//	VC 62 70 00	//	2P	//	B	
※	//	VC 62 68 00	//	2P	//	G	

※New Parts (新規部品)

Ref. No.	Part No.	Description	部 品 名	Remarks	Common Model	Markets	ランク
※	17	VG 80 74 00	Controller, Switch		リモートスイッチ操作部		
	18	VG 82 74 00	Lamp with Connector	14.5V 115mA	ランプコネクター付		
	19	AA 62 55 20	Top Cover		ト ッ プ カ バ ー	Black	R-3
	//	AA 62 55 10	//		//	Silver	//
※	20	VG 64 66 00	Flame, Shield		フ レ ー ム ・ シ ー ル ド		
※	21	VG 42 71 00	Rear Panel		リ ヤ バ ネ ル		R
※	//	VG 42 73 00	//		//		U,C
※	//	VG 42 74 00	//		//		A
※	//	VG 42 75 00	//		//		B
※	//	VG 42 82 00	//		//		G
	22	CB 62 07 30	Leg		脚		A-750
	23	VA 77 29 00	Support		基 板 サ ポ ー ト		
※	24	VH 08 78 00	Shield Plate		シ ー ル ド プ レ ー ト		
	25	VG 42 93 00	Button	1/6/25	ボ タ ン	Black	RX-330
	//	VG 42 94 00	//	1/6/25	//	Silver	//
	26	CB 66 07 90	//	3×14	//	Black	SPEAKERS A, B TONE BY PASS AX-900
	//	CB 66 07 80	//	3×14	//	Silver	//
	27	CB 66 08 10	//		//	Black	POWER
	//	CB 66 08 00	//		//	Silver	//
	28	BA 09 24 40	Knob	φ48	ノ ブ	Black	VOLUME R-7
	//	BA 09 24 30	//	φ48	//	Silver	//
※	29	VG 42 85 00	Spacer		ス ペ ー サ ー		
	30	CB 63 82 40	Knob	φ20	ノ ブ	Black	BASS, TREBLE, BALANCE A-520
	//	CB 63 82 30	//	φ20	//	Silver	//
	31	CB 63 82 60	//	φ20	//	Black	LOUDNESS R-3
	//	CB 63 82 50	//	φ20	//	Silver	//
	32	CB 63 82 80	//	φ20	//	Black	REC OUT A-520
	//	CB 63 82 70	//	φ20	//	Silver	//
※	33	VH 08 80 00	Spacer		ス ペ ー サ ー		
	34	VG 42 98 00	Rod		ロ ッ ド		RX-330
	35	VG 65 04 00	Ring		リ ン グ		RX-330
	36	AA 62 73 10	Ground Terminal	STG-3×13	G N D タ ー ミ ナ ル		
	37	ED 33 00 66	Binding Head Screw	3×6 FCRM3-BI	バ イ ン ド 小 ネ ジ	PACK	
	38	EZ 00 04 60	Tapping Head Screw	3×8 FCRM3-BI	ボ ン デ ィ ン グ B タ イ ト ネ ジ		
	39	Ei 33 00 86	Binding Head Tapping Screw	3×8 FCRM3-BI	バ イ ン ド タ ッ ピ ン グ ネ ジ	PACK	
	40	EO 33 00 66	Flat Head Tapping Screw	3×6 ZMC2-BI	皿 タ ッ ピ ン グ ネ ジ	PACK	
	41	EN 93 00 10	Binding Head Tapping Screw	3×10 ZMC2-BI	バ イ ン ド タ ッ ピ ン グ ネ ジ	Pタイト	
	42	EK 33 60 10	BW Head Tapping Screw	3×8×φ10 FCM3-BI	BWヘッドタッピングネジ	2種ミソ	
	43	Ei 34 00 86	Binding Head Tapping Screw	4×8 FCRM3-BI	バ イ ン ド タ ッ ピ ン グ ネ ジ	PACK	
	44	Ei 03 00 66	//	3×6 ZMC2-Y	//	PACK	
	45	EZ 00 13 50	Cup Screw	3×14 FCRM3-BI	カ ッ プ B タ イ ト ネ ジ		
	46	EK 13 00 20	BW Head Screw	4×8 FNM3-3g	B W ヘ ッ ド 小 ネ ジ	Black	
	//	EK 36 50 40	//	4×8 FCRM3-BI	//	Silver	
	47	VG 42 65 00	Chassis		シ ャ ー シ		
	48	BB 07 09 60	TR Pusher		T R 押 え		
	49	CB 60 56 20	Plastic Rivet		プ ラ ス チ ッ ク リ ベ ッ ト		
		CB 06 92 51	Binding Tie	BK-1	イ ン シ ュ ロ ッ ク タイ	PACK	

※New Parts (新規部品)

Ref. No.	Part No.	Description	部 品 名	Remarks	Common Model	Markets	ランク
		Accessories	付 属 品				
	VG: 80: 49: 00	75 Ω FM Antenna	F M ア ン テ ナ			U,C,A,B,R	
	VG: 80: 50: 00	//	//			G	
	VA: 94: 59: 00	ST Connector	S T コ ネ ク タ ー	6P			
	Mi: 08: 17: 80	Mini Plug Cord	ミニプラグコード	1.2m			
	VC: 62: 63: 00	Connector Plug	コネクタープラグ	2P		B	
*	VG: 80: 86: 00	Remote Control Transmitter	リモコントランスミッター				
		Dry Cell	単 4 乾 電 池	AAA,R03			
	VD: 63: 29: 00	Loop Antenna	ループアンテナスタンド付				

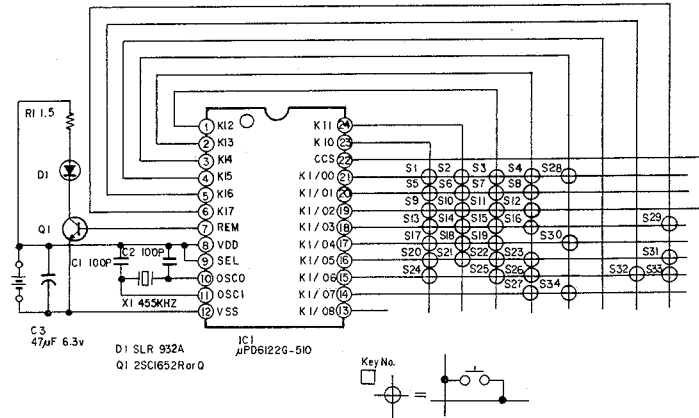
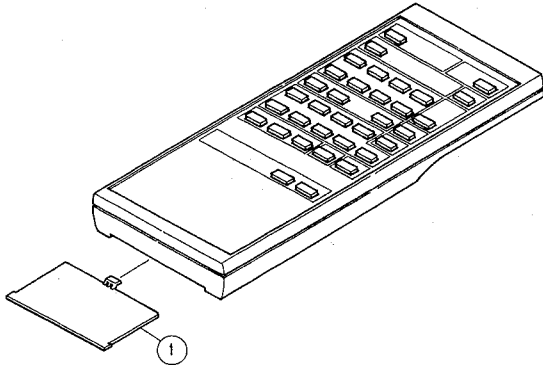
*New Parts (新規部品)

RX-530/AVR-55

REMOTE CONTROL TRANSMITTER

EXPLODED VIEW

SCHEMATIC DIAGRAM



KEY NO.	DATA CODE							FUNCTION	
	D ₀	D ₁	D ₂	D ₃	D ₄	D ₅	D ₆		D ₇
1	0	0	0	0	0	0	0	0	DECK PLAY
2	1	0	0	0	0	0	0	0	DECK REW
3	0	1	0	0	0	0	0	0	DECK FF
4	1	1	0	0	0	0	0	0	DECK STOP
5	0	0	1	0	0	0	0	0	DECK REC PAUSE
6	1	0	1	0	0	0	0	0	DECK REC MUTE
7	0	1	1	0	0	0	0	0	DECK DECK A/B
8	1	1	1	0	0	0	0	0	DECK DIR.A
9	0	0	0	1	0	0	0	0	CD PLAY
10	1	0	0	1	0	0	0	0	CD PAUSE/STOP
11	0	1	0	1	0	0	0	0	CD SKIP ⏪
12	1	1	0	1	0	0	0	0	CD SKIP ⏩
13	0	0	1	1	0	0	0	0	CD SEARCH ⏪
14	1	0	1	1	0	0	0	0	CD SEARCH ⏩
15	0	1	1	1	0	0	0	0	PHONO PLAY/CUT
16	1	1	1	1	0	0	0	0	AMP TAPE 2
17	0	0	0	0	1	0	0	0	TUNER PRESET UP
18	1	0	0	0	1	0	0	0	TUNER PRESET DOWN

KEY NO.	DATA CODE							FUNCTION	
	D ₀	D ₁	D ₂	D ₃	D ₄	D ₅	D ₆		D ₇
19	0	1	0	0	1	0	0	0	TUNER A/B
20	0	0	1	0	1	0	0	0	AMP PHONO
21	1	0	1	0	1	0	0	0	AMP CD
22	0	1	1	0	1	0	0	0	AMP TUNER
23	1	1	1	0	1	0	0	0	AMP VIDEO/AUX
24	0	0	0	1	1	0	0	0	AMP TAPE 1
25	0	1	0	1	1	0	0	0	VOL. UP
26	1	1	0	1	1	0	0	0	VOL. DOWN
27	1	1	1	1	1	0	0	0	POWER ON/OFF
28	0	0	0	0	0	0	1	0	DECK DIR.B
29	1	1	1	1	0	0	1	0	CD DISC No. UP
30	0	0	0	0	1	0	1	0	CD DISC No. DOWN
31	1	1	1	0	1	0	1	0	SLEEP
32	0	1	0	1	1	0	1	0	EQ ON/OFF
33	1	1	0	1	1	0	1	0	EQ PRESET UP
34	0	0	1	1	1	0	1	0	EQ PRESET DOWN
	C ₀	C ₁	C ₂	C ₃	C ₄	C ₅	C ₆	C ₇	
	0	1	0	1	1	1	1	0	CUSTOM CODE

PARTS LIST

Ref. No.	Part No.	Description	部品名	Remarks/Markets	Common Model	ランク
※	VG 80 86 00	Remote Control Transmitter	リモコントランスミッター			K-PA1-191-A
※	I CX 60 72 00	Lid	電池 ケース			K-PM1-562-01
		Dry Cell	AAA,R03			

※New Parts (新規部品)

Parts List for Carbon Resistor

Value	1/4W Type Part No.	1/6W Type Part No.	Value	1/4W Type Part No.	1/6W Type Part No.
1.0 Ω	HJ353100	HF853100	12K Ω	HJ357120	HF857120
1.8 "	HJ353180	*	15 "	HJ357150	HF857150
2.2 "	HJ353220	HF853220	18 "	HJ357180	HF857180
3.3 "	HJ353330	HF853330	22 "	HJ357220	HF857220
4.7 "	HJ353470	HF853470	27 "	HJ357270	HF857270
5.6 "	HJ353560	HF853560	33 "	HJ357330	HF857330
10 "	HJ354100	HF854100	39 "	HJ357390	HF857390
15 "	HJ354150	HF854150	47 "	HJ357470	HF857470
22 "	HJ354220	HF854220	56 "	HJ357560	HF857560
27 "	HJ354270	HF854270	68 "	HJ357680	HF857680
33 "	HJ354330	HF854330	82 "	HJ357820	HF857820
39 "	HJ354390	HF854390	91 "	HJ357910	HF857910
47 "	HJ354470	HF854470	100 "	HJ358100	HF858100
56 "	HJ354560	HF854560	120 "	HJ358120	HF858120
68 "	HJ354680	HF854680	150 "	HJ358150	HF858150
82 "	HJ354820	HF854820	180 "	HJ358180	HF858180
100 "	HJ355100	HF855100	220 "	HJ358220	HF858220
110 "	HJ355110	HF855110	270 "	HJ358270	HF858270
120 "	HJ355120	HF855120	330 "	HJ358330	HF858330
150 "	HJ355150	HF855150	390 "	HJ358390	HF858390
160 "	HJ355160	*	470 "	HJ358470	HF858470
180 "	HJ355180	HF855180	560 "	HJ358560	HF858560
220 "	HJ355220	HF855220	680 "	HJ358680	HF858680
270 "	HJ355270	HF855270	820 "	HJ358820	HF858820
330 "	HJ355330	HF855330	1.0M Ω	HJ359100	HF859100
390 "	HJ355390	HF855390	1.2 "	HJ359120	*
470 "	HJ355470	HF855470	1.5 "	HJ359150	HF859150
510 "	*	HF855510	1.8 "	HJ359180	HF859180
560 "	HJ355560	HF855560	2.2 "	HJ359220	HF859220
680 "	HJ355680	HF855680	3.3 "	HJ359330	HF859330
820 "	HJ355820	HF855820	3.9 "	HJ359390	*
910 "	HJ355910	HF855910	4.7 "	HJ359470	HF859470
1.0K Ω	HJ356100	HF856100			
1.2 "	HJ356120	HF856120			
1.5 "	HJ356150	HF856150			
1.8 "	HJ356180	HF856180			
2.0 "	HJ356200	HF856200			
2.2 "	HJ356220	HF856220			
2.4 "	HJ356240	HF856240			
2.7 "	HJ356270	HF856270			
3.0 "	HJ356300	HF856300			
3.3 "	HJ356330	HF856330			
3.6 "	HJ356360	HF856360			
3.9 "	HJ356390	HF856390			
4.7 "	HJ356470	HF856470			
5.1 "	HJ356510	HF856510			
5.6 "	HJ356560	HF856560			
6.8 "	HJ356680	HF856680			
8.2 "	HJ356820	HF856820			
9.1 "	HJ356910	HF856910			
10 "	HJ357100	HF857100			

1/4W Type

HJ35

10mm

1/6W Type

HF85

5mm

RX-530/AVR-55

YAMAHA

RX-530/AVR-55